

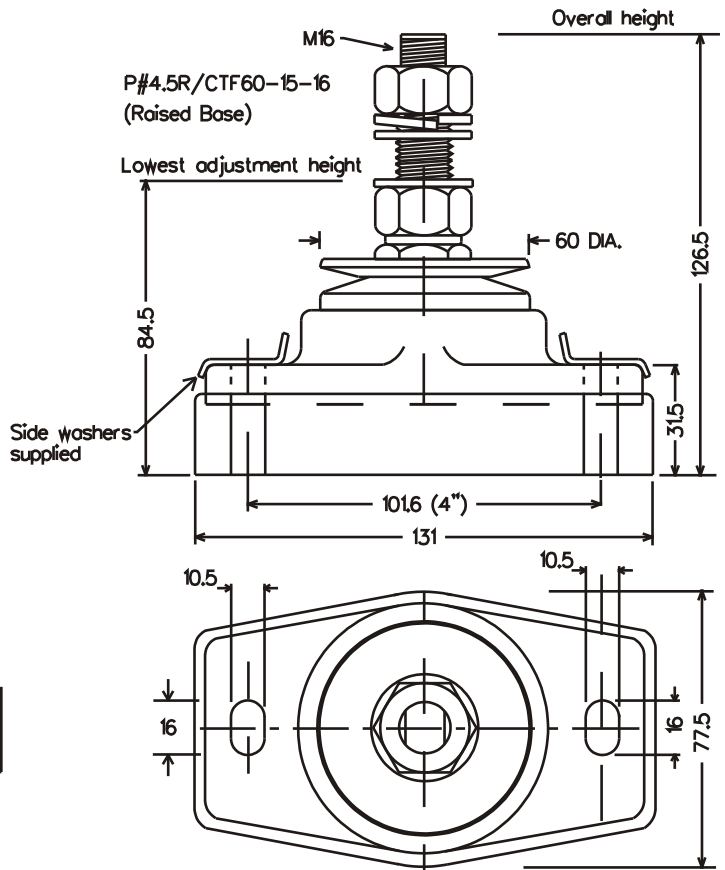
POLY FLEX DATA SHEET

PRODUCT: MOUNT **P-SYSTEM**®
 MODEL: **P#4.5R/CTF60-15-16**
 (Raised Base)

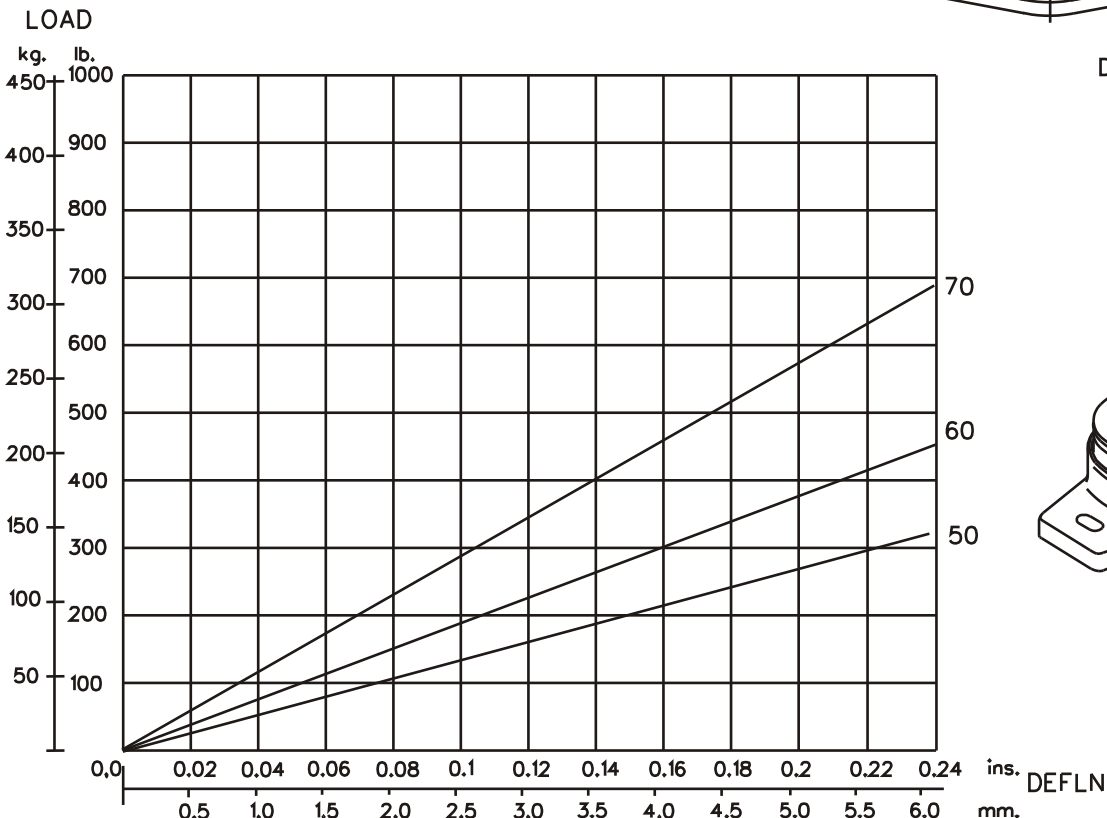
IDENTIFICATION SYSTEM				
P# <u> </u> F <u> </u> <u> </u> - <u> </u> - <u> </u> (<u> </u>)				
BASE TYPE	CORE DIA.	CORE HEIGHT	THREAD SIZE	CORE HARDNESS

CORE COLOUR	SHORE HARDNESS
ORANGE	50
BLUE	60
YELLOW	70

MATERIAL SPECIFICATION
* ENGINEERING GRADE HEAT CURED POLYMER ALLOY
* ALL METAL PARTS - GOLD PASSIVATED ZINC PLATED



Dimensions are in mm.



GRAPH 1 : STATIC AXIAL(VERTICAL) LOAD VS. DEFLECTION

