

## POLY FLEX DATA SHEET

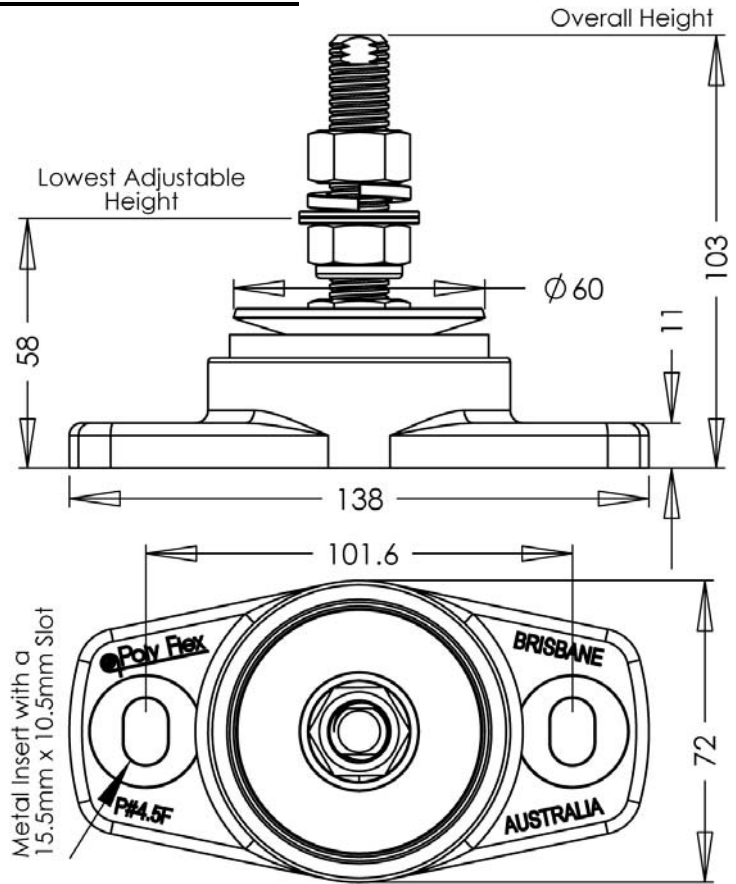
PRODUCT: MOUNT P-SYSTEM<sup>®</sup>

SERIES: 5F SERIES<sup>®</sup>

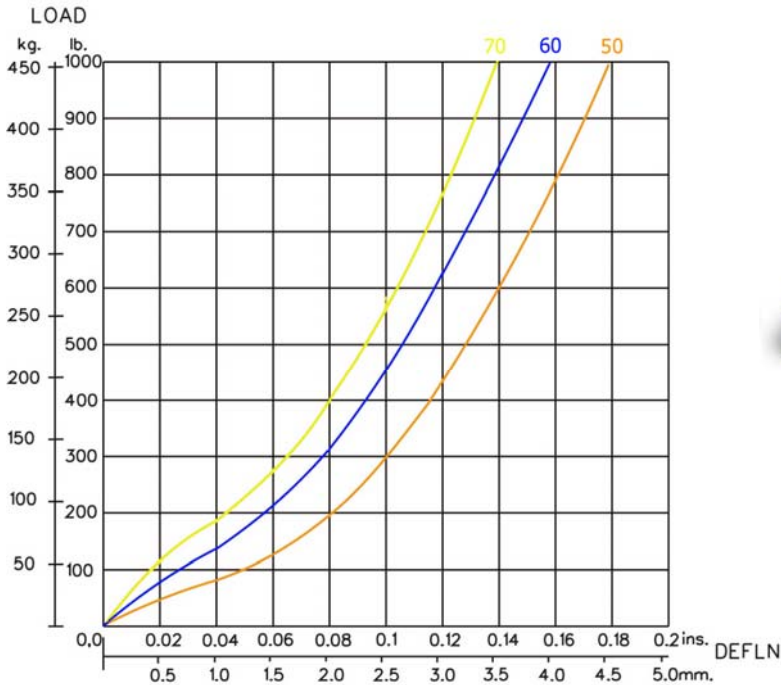
MODEL: P#4.5 F62-11-14 ( )

MATERIAL SPECIFICATION	
• ENGINEERING GRADE HEAT CURED POLYMER ALLOY	
• ALL METAL PARTS - SA5 COBALT ZINC PLATED	

CORE COLOUR	SHORE HARDNESS
ORANGE	50
BLUE	60
YELLOW	70
GREEN	80



THE FOLLOWING DATA IS SUPPLIED AS A GUIDE ONLY.  
PRODUCT SPECIFICATIONS AND DATA SHEETS ARE SUBJECT TO CHANGE WITHOUT NOTICE.



GRAPH 1 : STATIC AXIAL(VERTICAL) LOAD VS. DEFLECTION



**Poly Flex** © 2009  
PRODUCTS  
DRAWING No. P#4.5F62-14  
DRAWN OK. 22.06.09