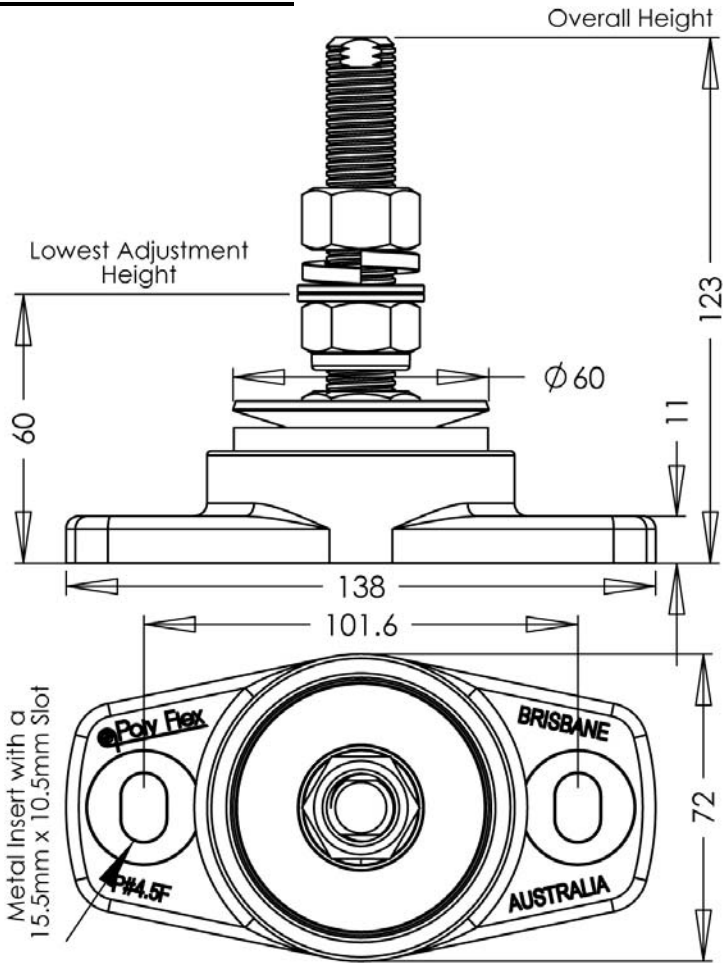


POLY FLEX DATA SHEET

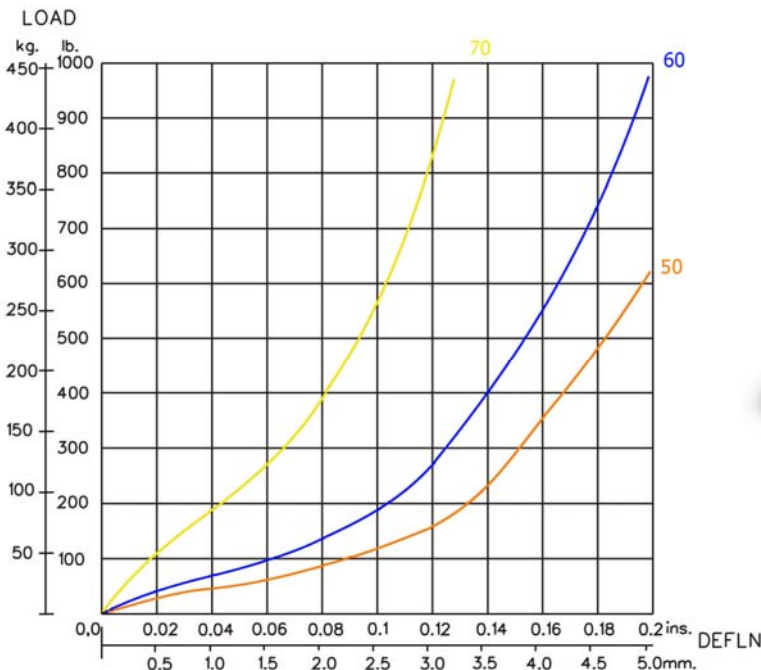
PRODUCT: MOUNT P-SYSTEM[®]
SERIES: .5F SERIES[®]
MODEL: P#4.5 F60-11-16 EXT ()

| MATERIAL SPECIFICATION | |
|--|--|
| • ENGINEERING GRADE HEAT CURED POLYMER ALLOY | |
| • ALL METAL PARTS - SA5 COBALT ZINC PLATED | |

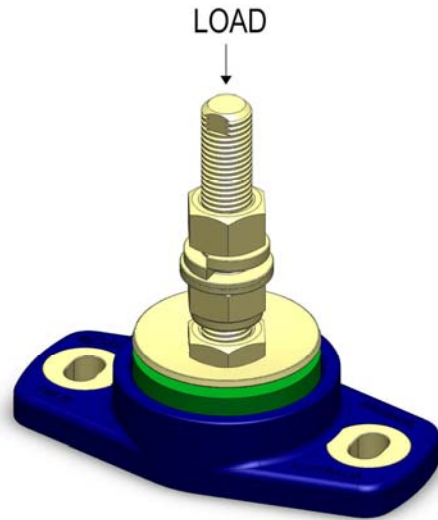
| CORE COLOUR | SHORE HARDNESS |
|-------------|----------------|
| ORANGE | 50 |
| BLUE | 60 |
| YELLOW | 70 |
| GREEN | 80 |



THE FOLLOWING DATA IS SUPPLIED AS A GUIDE ONLY. PRODUCT SPECIFICATIONS AND DATA SHEETS ARE SUBJECT TO CHANGE WITHOUT NOTICE.



GRAPH 1 : STATIC AXIAL(VERTICAL) LOAD VS. DEFLECTION



Poly Flex © 2009
PRODUCTS

DRAWING No. P#4.5F60-16X
DRAWN OK. 22.06.09