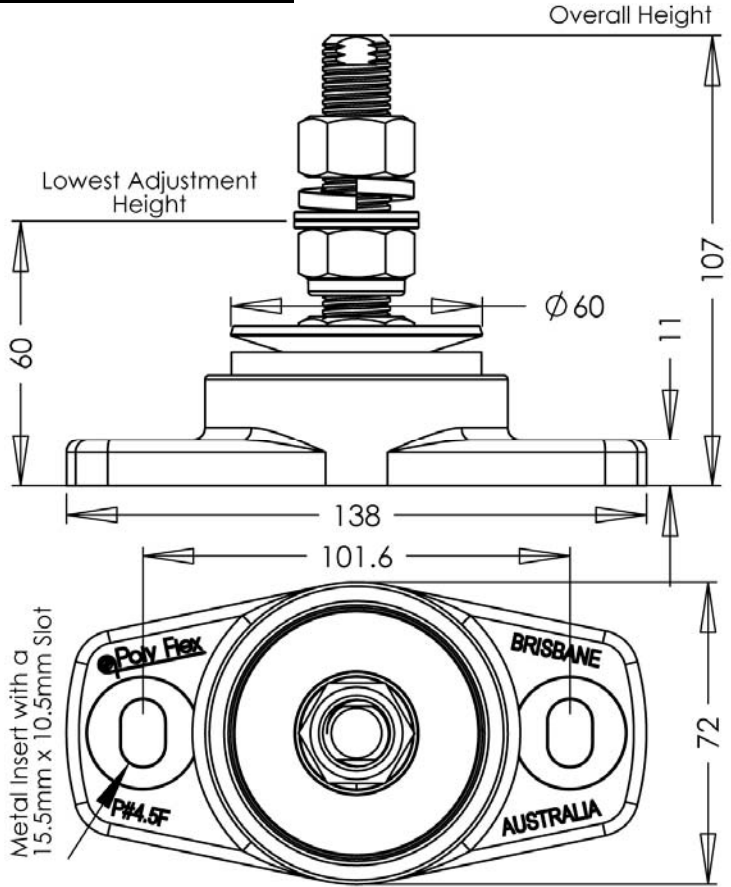


**POLY FLEX DATA SHEET**

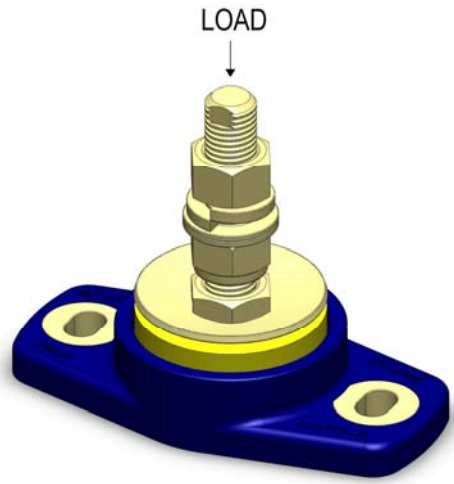
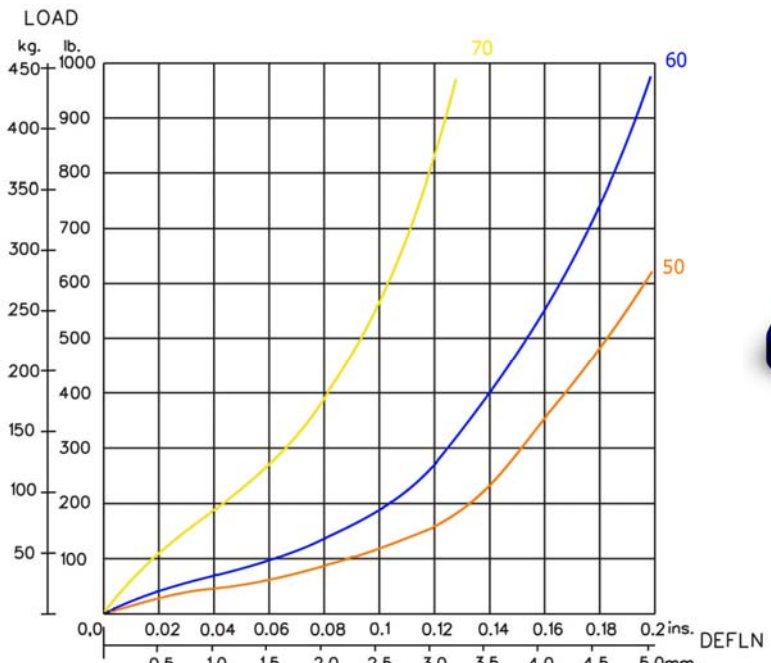
PRODUCT: MOUNT **P-SYSTEM**<sup>®</sup>  
 SERIES: **.5F SERIES**<sup>®</sup>  
 MODEL: P#4.5 F60-11-16 ( )

MATERIAL SPECIFICATION	
• ENGINEERING GRADE HEAT CURED POLYMER ALLOY	
• ALL METAL PARTS - SA5 COBALT ZINC PLATED	

CORE COLOUR	SHORE HARDNESS
ORANGE	50
BLUE	60
YELLOW	70
GREEN	80



THE FOLLOWING DATA IS SUPPLIED AS A GUIDE ONLY. PRODUCT SPECIFICATIONS AND DATA SHEETS ARE SUBJECT TO CHANGE WITHOUT NOTICE.



**Poly Flex** © 2009  
 PRODUCTS  
 DRAWING No. P#4.5F60-16  
 DRAWN OK. 22.06.09

GRAPH 1 : STATIC AXIAL(VERTICAL) LOAD VS. DEFLECTION