

**POLY FLEX DATA SHEET**

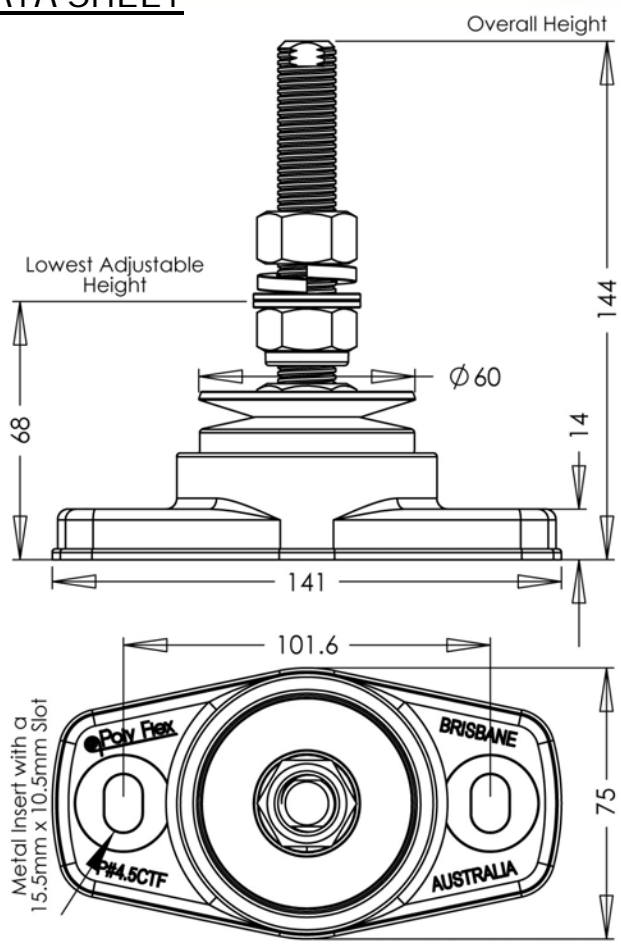
PRODUCT: MOUNT **P-SYSTEM**<sup>®</sup>

SERIES: **.5CTF SERIES**

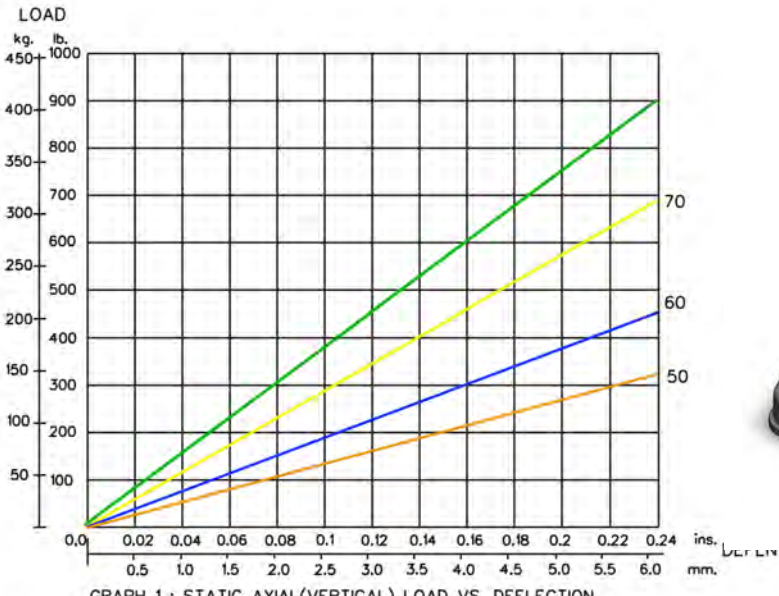
MODEL: P#4.5 CTF60-15-16 ( ) EXT

MATERIAL SPECIFICATION	
• ENGINEERING GRADE HEAT CURED POLYMER ALLOY	
• ALL METAL PARTS – SA5 COBALT ZINC PLATED	

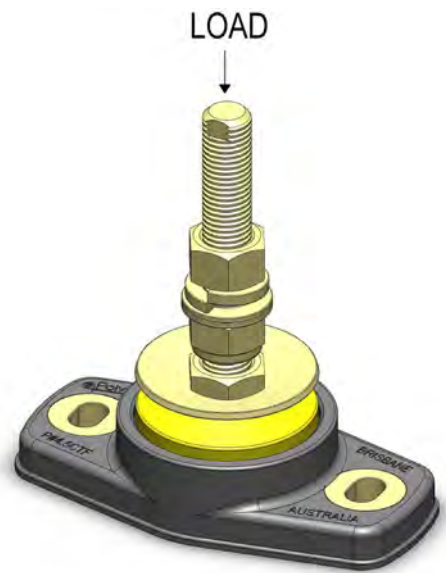
CORE COLOUR	SHORE HARDNESS
ORANGE	50
BLUE	60
YELLOW	70
GREEN	80



THE FOLLOWING DATA IS SUPPLIED AS A GUIDE ONLY. PRODUCT SPECIFICATIONS AND DATA SHEETS ARE SUBJECT TO CHANGE WITHOUT NOTICE.



GRAPH 1 : STATIC AXIAL(VERTICAL) LOAD VS. DEFLECTION



**Poly Flex** © 2009  
PRODUCTS  
DRAWING No. P#4.5CTF60-16X  
DRAWN OK. 21.07.09