

DATA SHEET

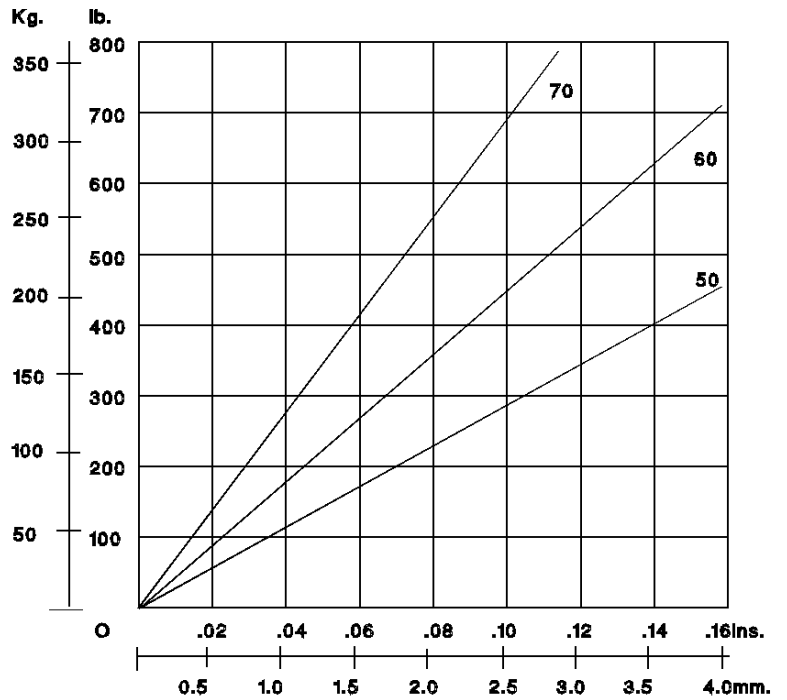
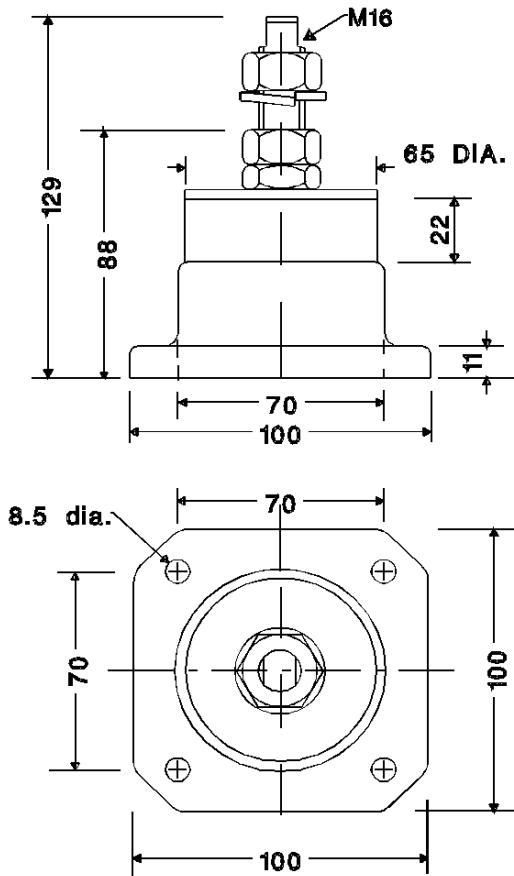
MATERIAL SPECIFICATION

- * ENGINEERING GRADE HEAT CURED POLYMER ALLOY
- * ALL METAL PARTS - GOLD PASSIVATED ZINC PLATED

PRODUCT: MOUNT P-SYSTEM[®]
MODEL: P#3SQ65-22-16

IDENTIFICATION SYSTEM				
P# \square F \square \square - \square \square - \square \square (\square \square)				
BASE TYPE	CORE DIA.	CORE HEIGHT	THREAD SIZE	CORE HARDNESS

CORE COLOUR	SHORE HARDNESS
ORANGE	50
BLUE	60
YELLOW	70



GRAPH : STATIC LOAD VS. DEFLECTION