

POLY FLEX DATA SHEET

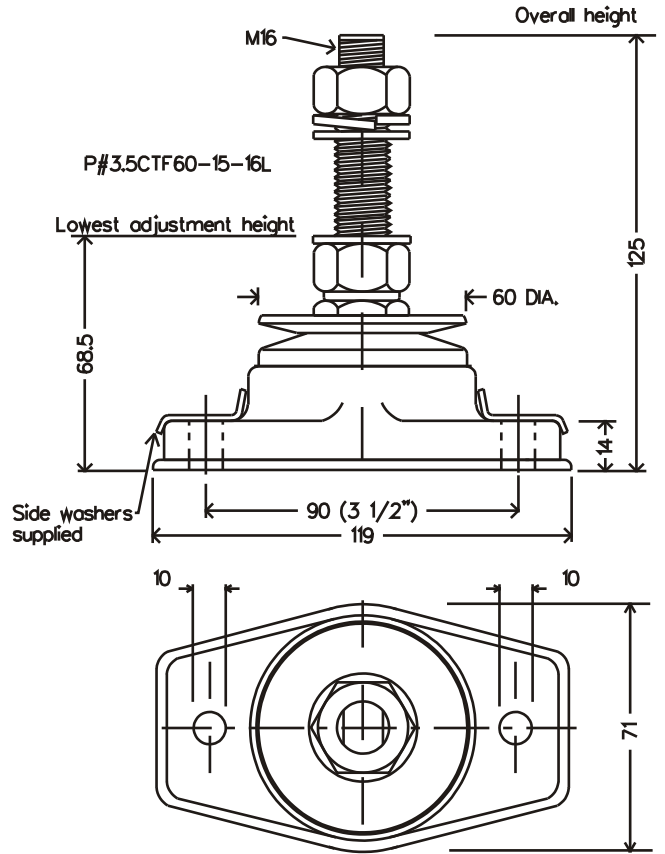
PRODUCT: MOUNT **P-SYSTEM**®

MODEL: **P#3.5CTF60-15-16L**
(Long stud)

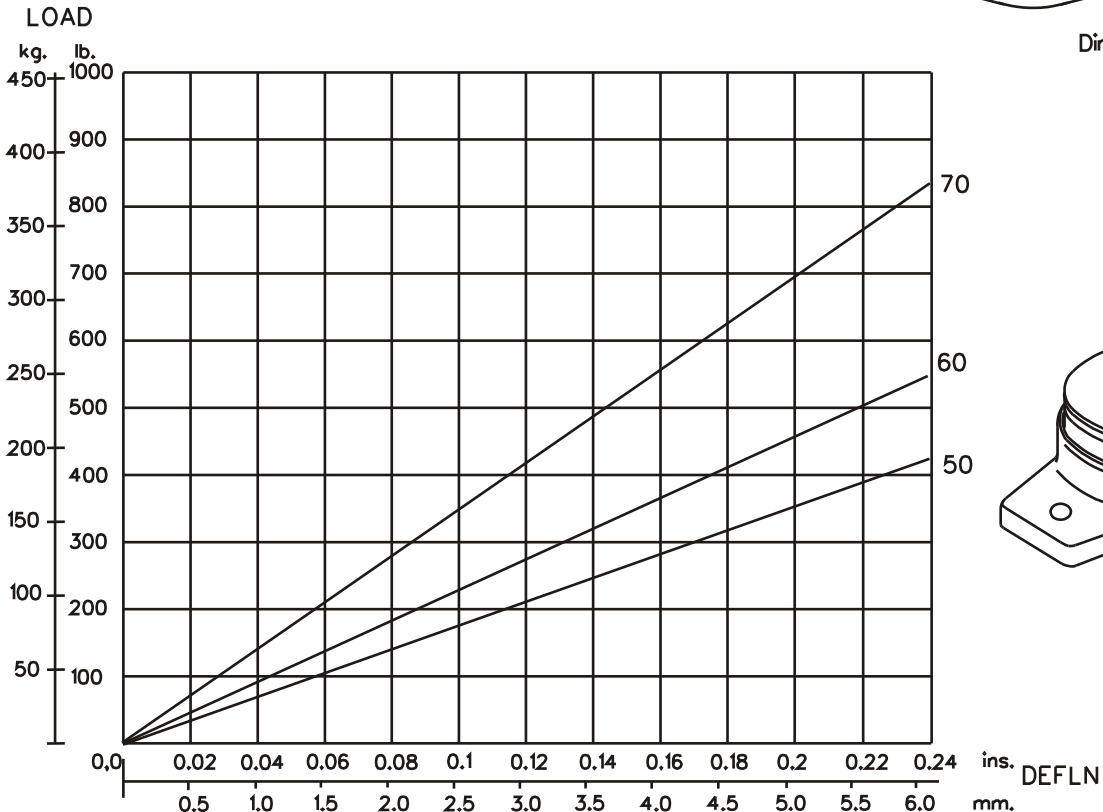
IDENTIFICATION SYSTEM				
P# 3 F 60 - 15 - 16L (60)				
BASE TYPE	CORE DIA.	CORE HEIGHT	THREAD SIZE	CORE HARDNESS

CORE COLOUR	SHORE HARDNESS
ORANGE	50
BLUE	60
YELLOW	70

MATERIAL SPECIFICATION	
* ENGINEERING GRADE HEAT CURED POLYMER ALLOY	
* ALL METAL PARTS - GOLD PASSIVATED ZINC PLATED	



Dimensions are in mm.



GRAPH 1 : STATIC AXIAL(VERTICAL) LOAD VS. DEFLECTION

