

POLY FLEX DATA SHEET

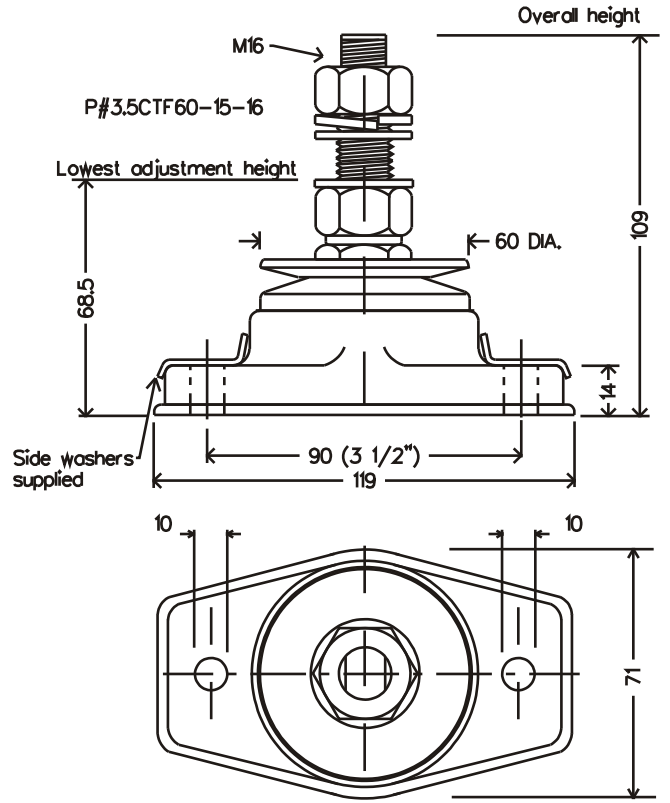
PRODUCT: MOUNT **P-SYSTEM**®

MODEL: **P#3.5CTF60-15-16**

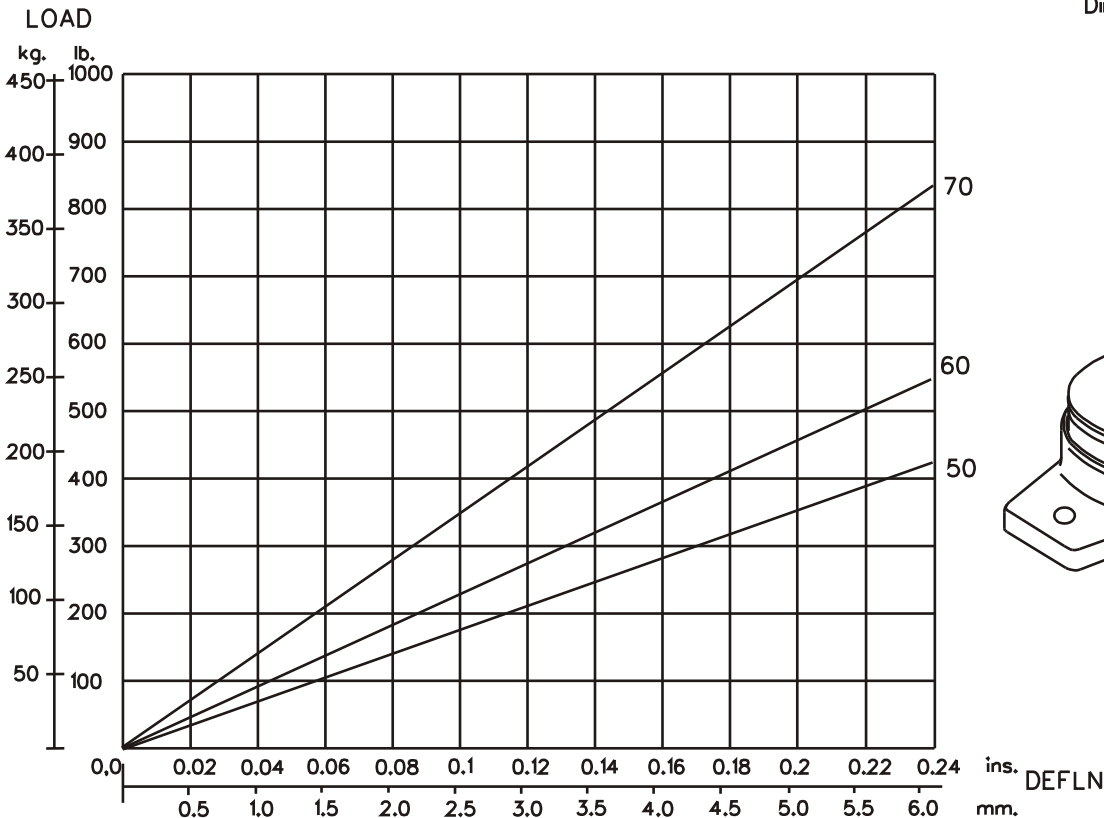
IDENTIFICATION SYSTEM				
P# F <input type="checkbox"/> <input type="checkbox"/> - <input type="checkbox"/> <input type="checkbox"/> - <input type="checkbox"/> <input type="checkbox"/> (<input type="checkbox"/> <input type="checkbox"/>)				
BASE TYPE	CORE DIA.	CORE HEIGHT	THREAD SIZE	CORE HARDNESS

CORE COLOUR	SHORE HARDNESS
ORANGE	50
BLUE	60
YELLOW	70

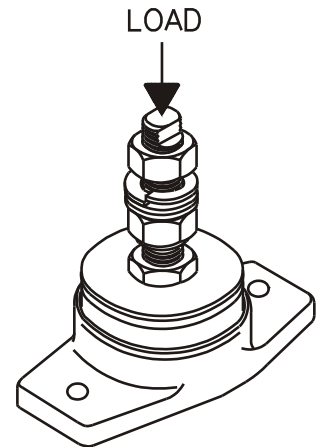
MATERIAL SPECIFICATION
* ENGINEERING GRADE HEAT CURED POLYMER ALLOY
* ALL METAL PARTS - GOLD PASSIVATED ZINC PLATED



Dimensions are in mm.



GRAPH 1 : STATIC AXIAL (VERTICAL) LOAD VS. DEFLECTION



Poly Flex © 2002
Products

DRAWING NO: D3-5CT16
DRAWN PB. 2/7/02