

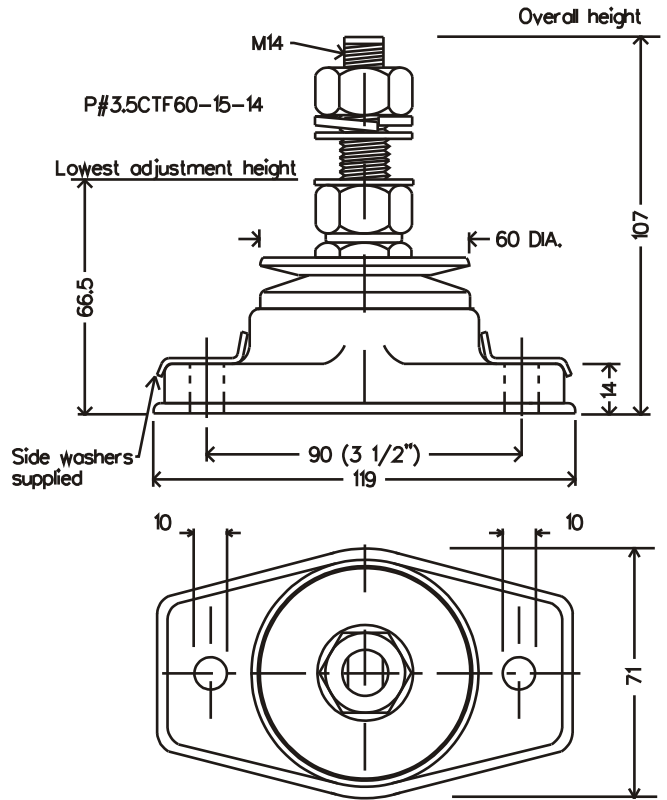
POLY FLEX DATA SHEET

PRODUCT: MOUNT **P-SYSTEM**®
MODEL: **P#3.5CTF60-15-14**

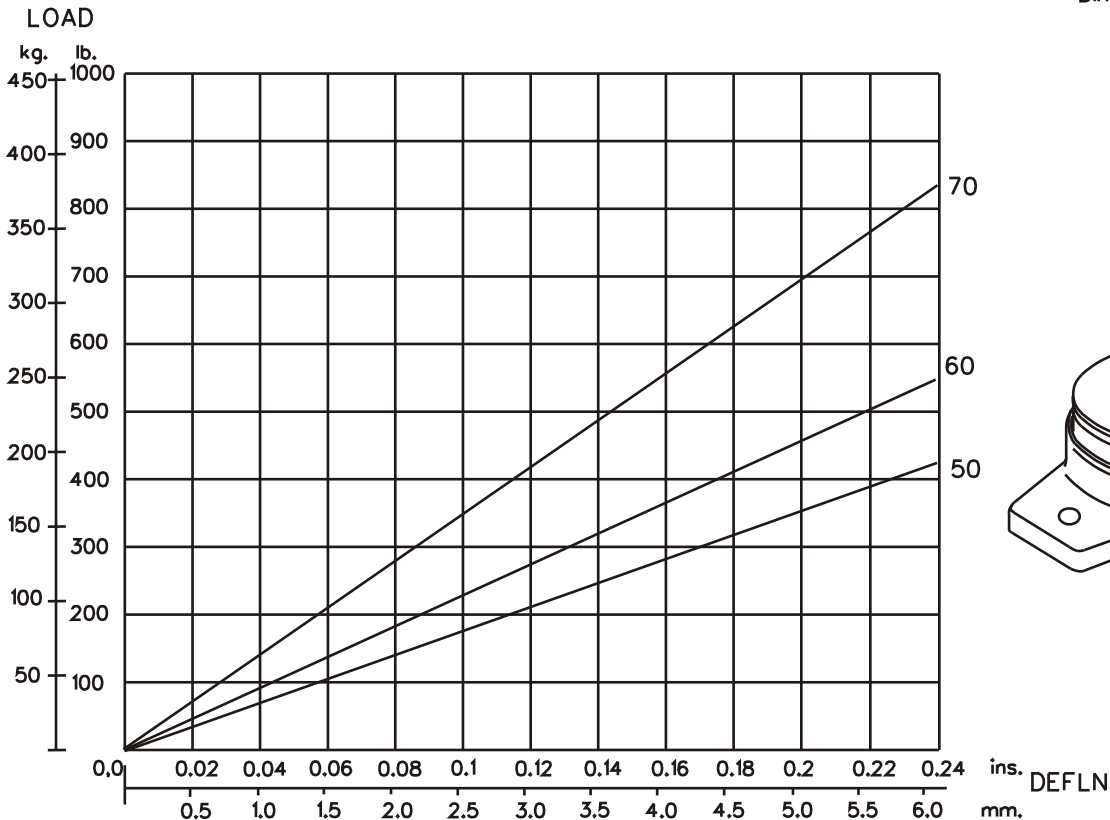
IDENTIFICATION SYSTEM				
P#FXX-XX-XX (XX)				
BASE TYPE	CORE DIA.	CORE HEIGHT	THREAD SIZE	CORE HARDNESS

CORE COLOUR	SHORE HARDNESS
ORANGE	50
BLUE	60
YELLOW	70

MATERIAL SPECIFICATION
• ENGINEERING GRADE HEAT CURED POLYMER ALLOY
• ALL METAL PARTS - GOLD PASSIVATED ZINC PLATED



Dimensions are in mm.



GRAPH 1 : STATIC AXIAL(VERTICAL) LOAD VS. DEFLECTION

