

POLY FLEX DATA SHEET

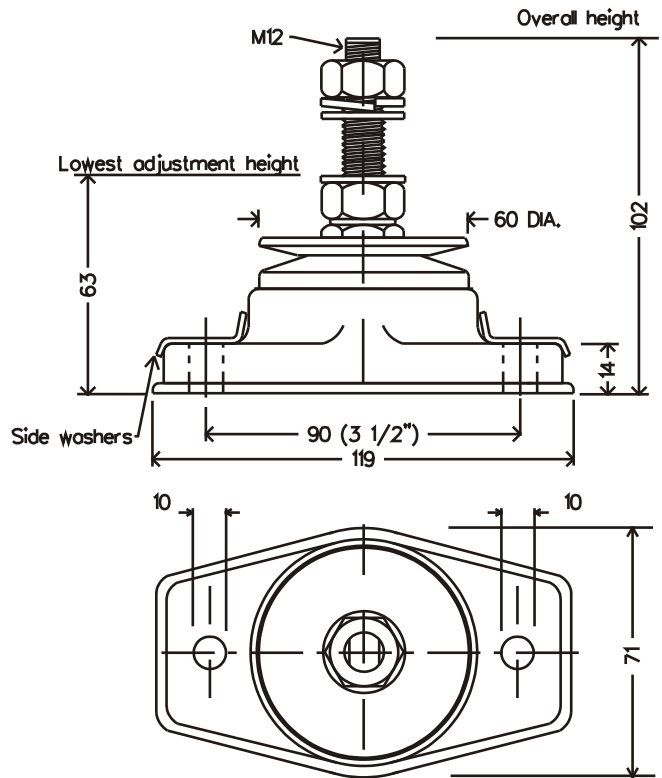
PRODUCT: MOUNT **P-SYSTEM**®

MODEL: **P#3.5CTF60-15-12**

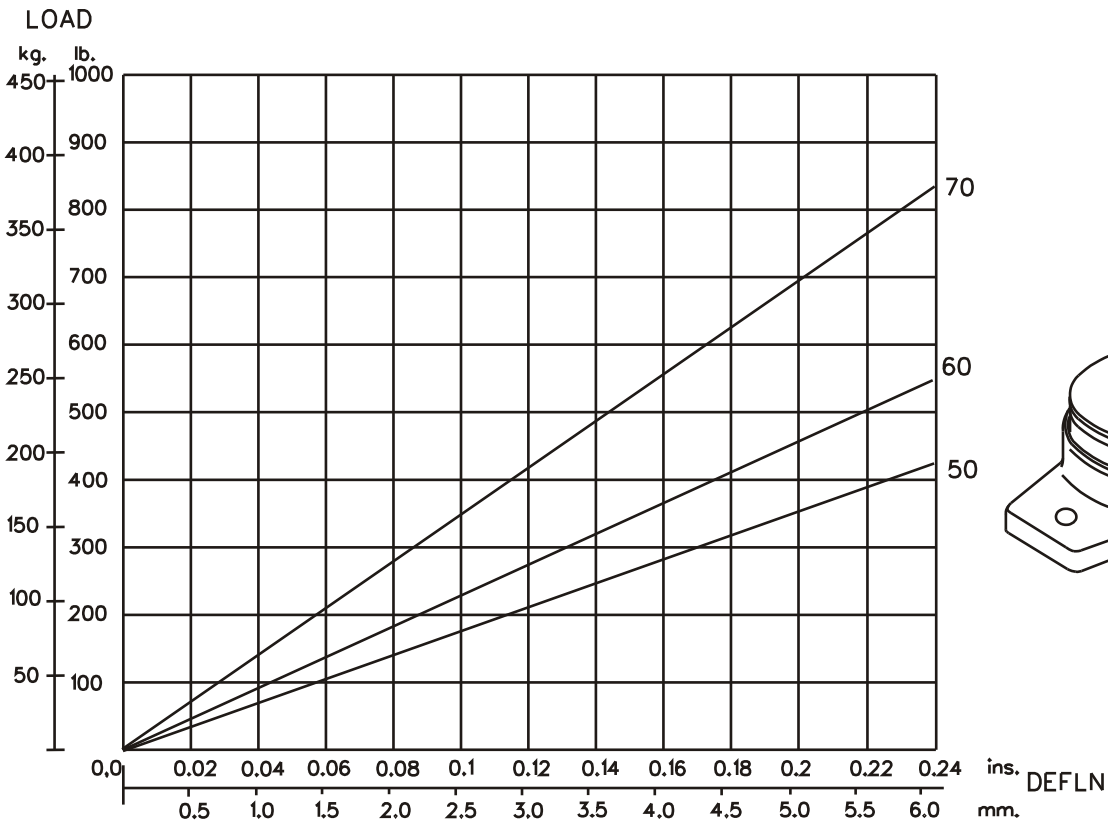
IDENTIFICATION SYSTEM				
P# 3 5 CTF 60 -15 -12				
BASE TYPE	CORE DIA.	CORE HEIGHT	THREAD SIZE	CORE HARDNESS

CORE COLOUR	SHORE HARDNESS
ORANGE	50
BLUE	60
YELLOW	70

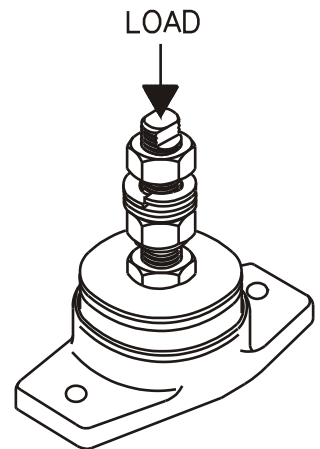
MATERIAL SPECIFICATION	
* ENGINEERING GRADE HEAT CURED POLYMER ALLOY	
* ALL METAL PARTS - GOLD PASSIVATED ZINC PLATED	



Dimensions are in mm.



GRAPH 1 : STATIC AXIAL (VERTICAL) LOAD VS. DEFLECTION



Poly Flex © 2001
Products

DRAWING NO: D3-5CT12
DRAWN PB. 23/11/01