

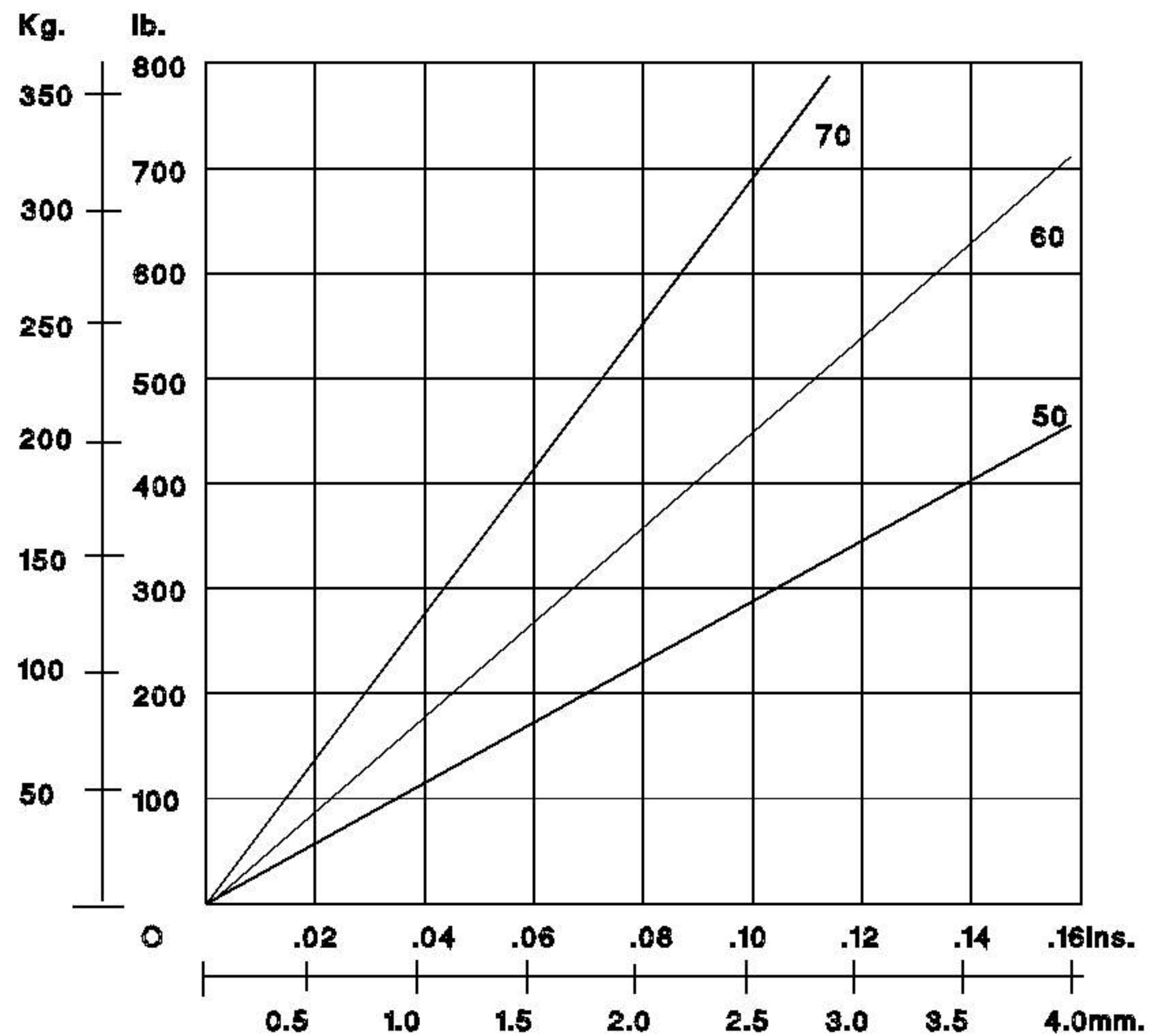
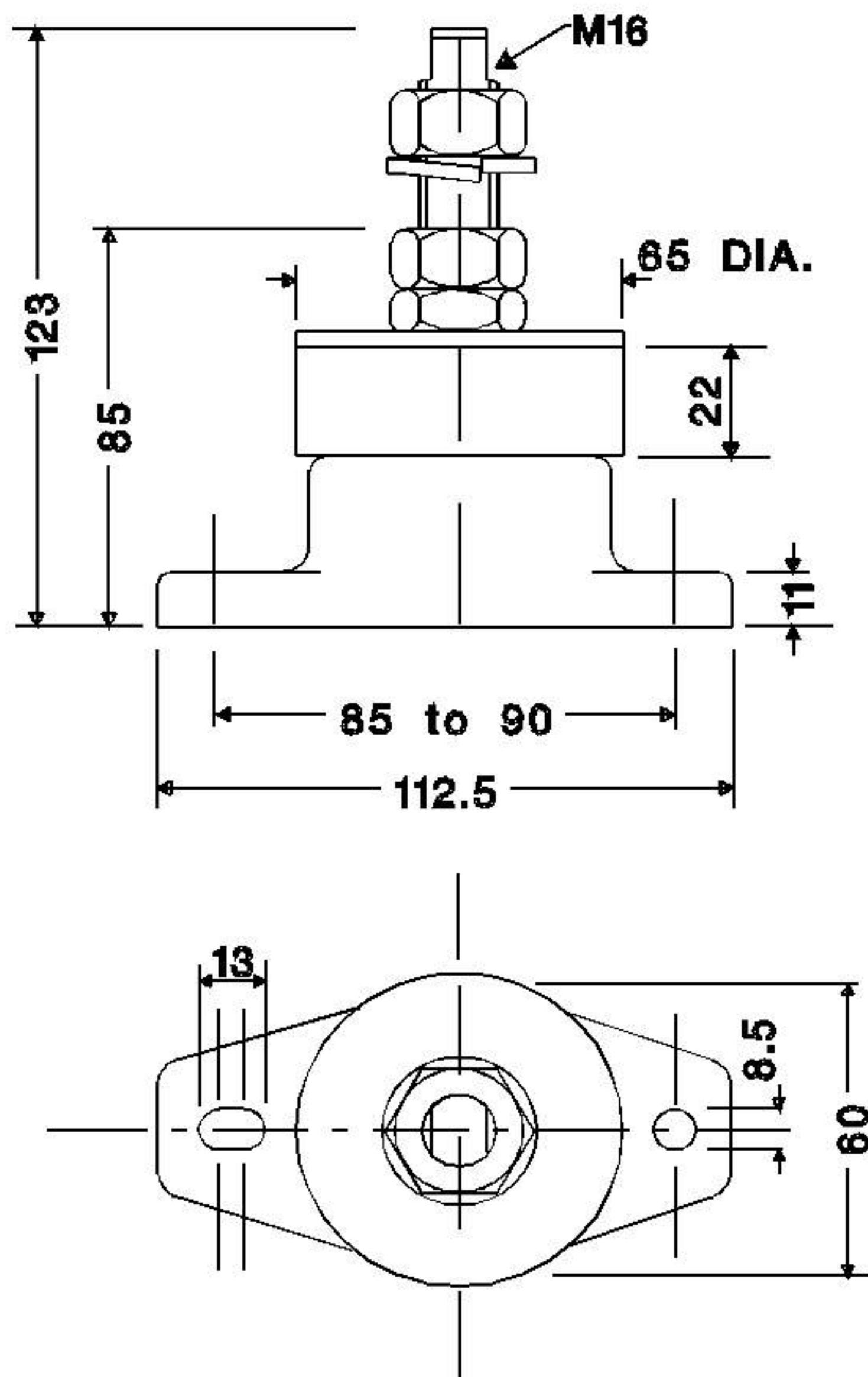
DATA SHEET

MATERIAL SPECIFICATION
* ENGINEERING GRADE HEAT CURED POLYMER ALLOY
* ALL METAL PARTS - GOLD PASSIVATED ZINC PLATED

PRODUCT: MOUNT P-SYSTEM[®]
MODEL: P#2F65-22-16

IDENTIFICATION SYSTEM				
P# F - - - - ()				
BASE TYPE	CORE DIA.	CORE HEIGHT	THREAD SIZE	CORE HARDNESS

CORE COLOUR	SHORE HARDNESS
ORANGE	50
BLUE	80
YELLOW	70



GRAPH : STATIC LOAD VS. DEFLECTION