

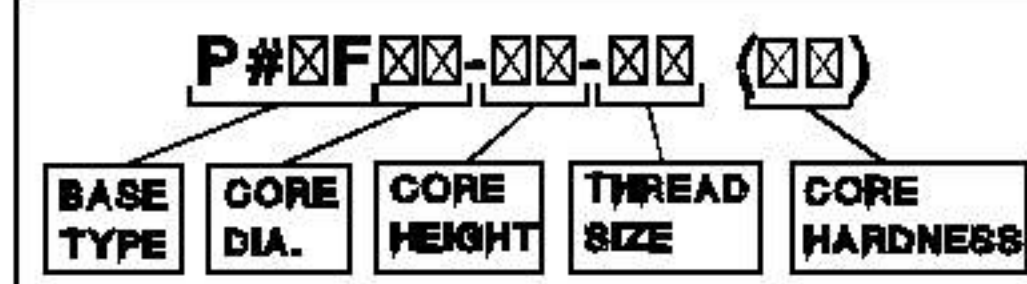
## DATA SHEET

### MATERIAL SPECIFICATION

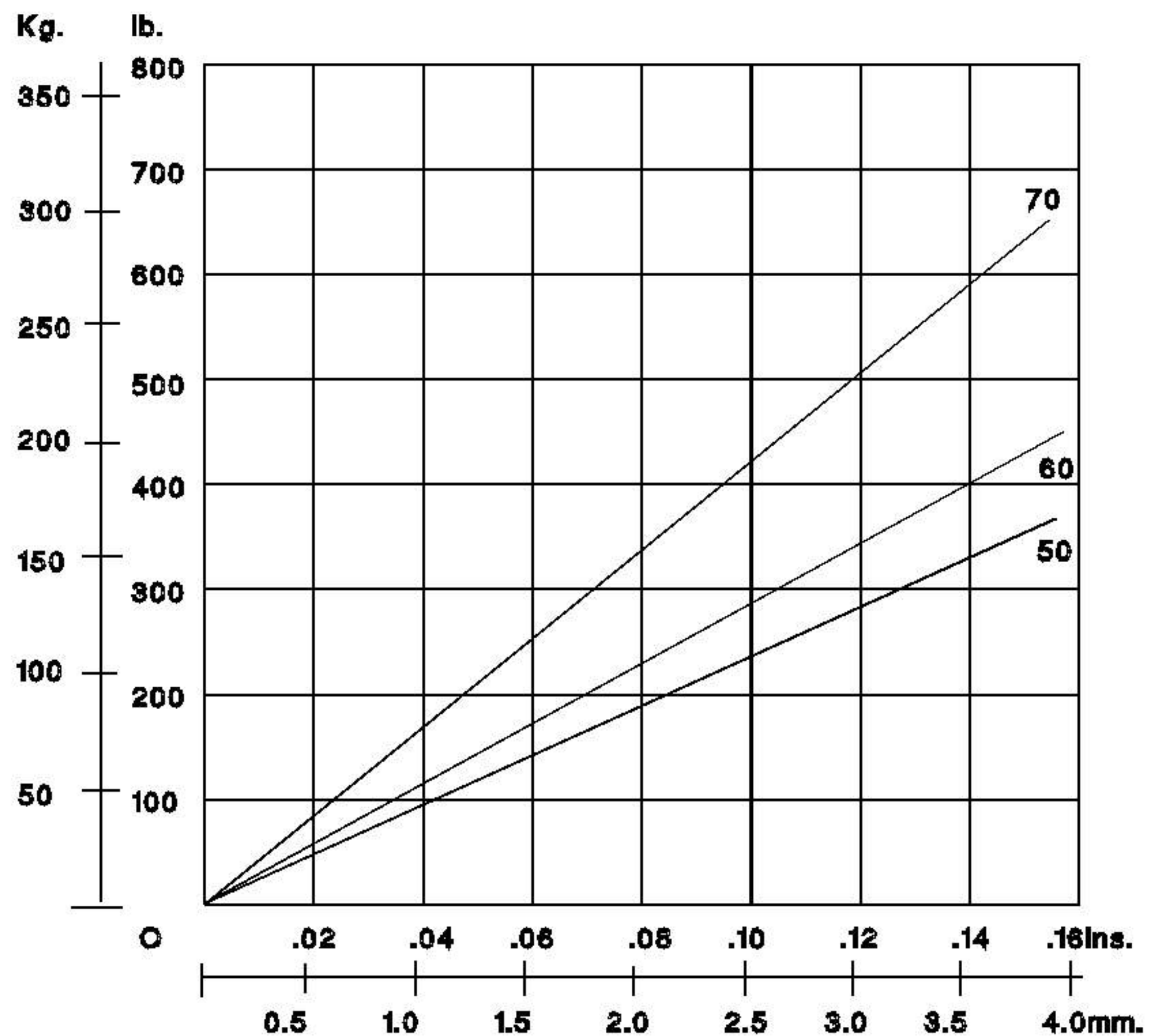
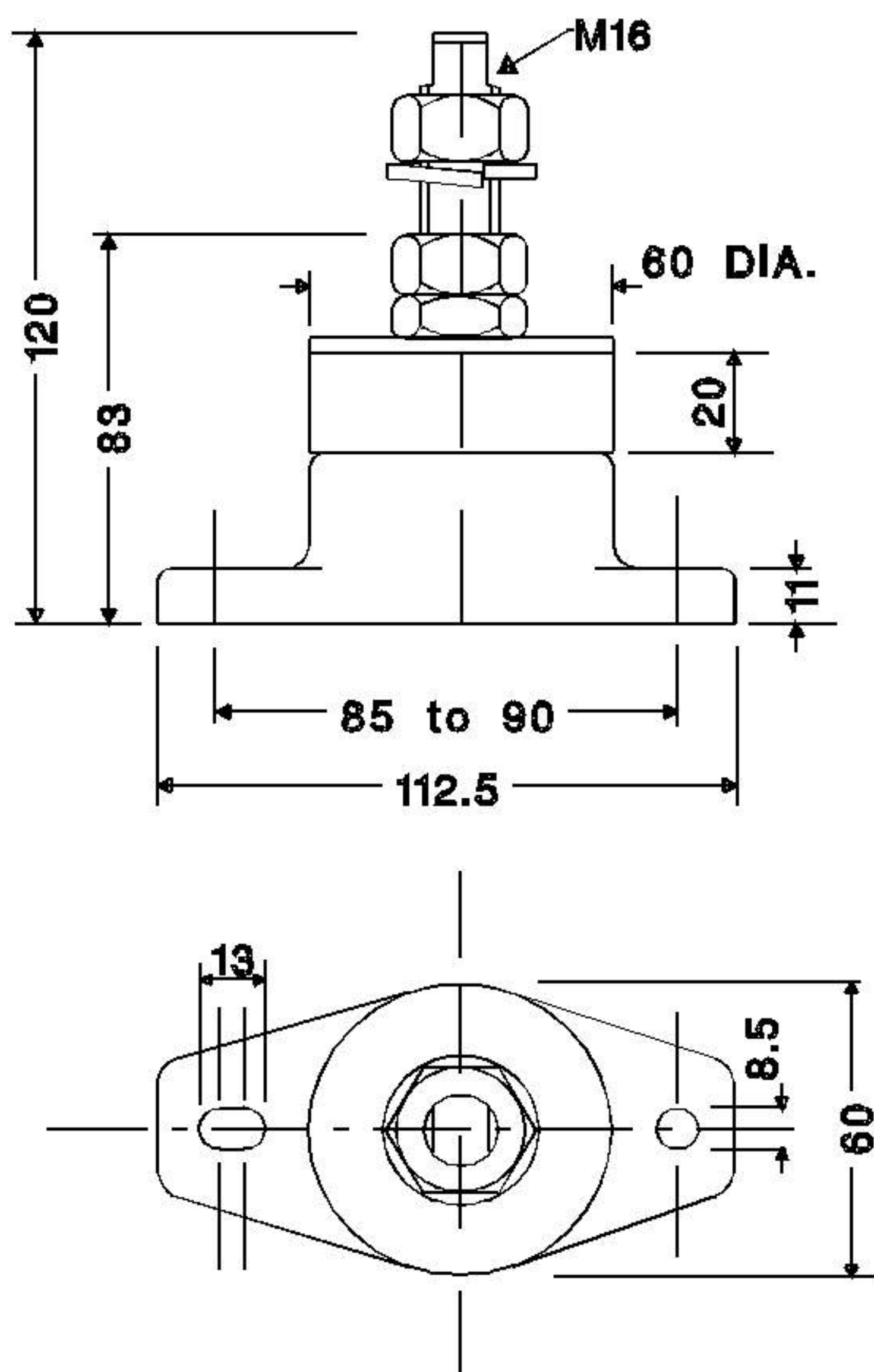
- \* ENGINEERING GRADE HEAT CURED POLYMER ALLOY
- \* ALL METAL PARTS - GOLD PASSIVATED ZINC PLATED

PRODUCT: MOUNT P-SYSTEM<sup>®</sup>  
MODEL: P#2F60-20-16

### IDENTIFICATION SYSTEM



CORE COLOUR	SHORE HARDNESS
ORANGE	50
BLUE	60
YELLOW	70



GRAPH : STATIC LOAD VS. DEFLECTION