

POLY FLEX DATA SHEET

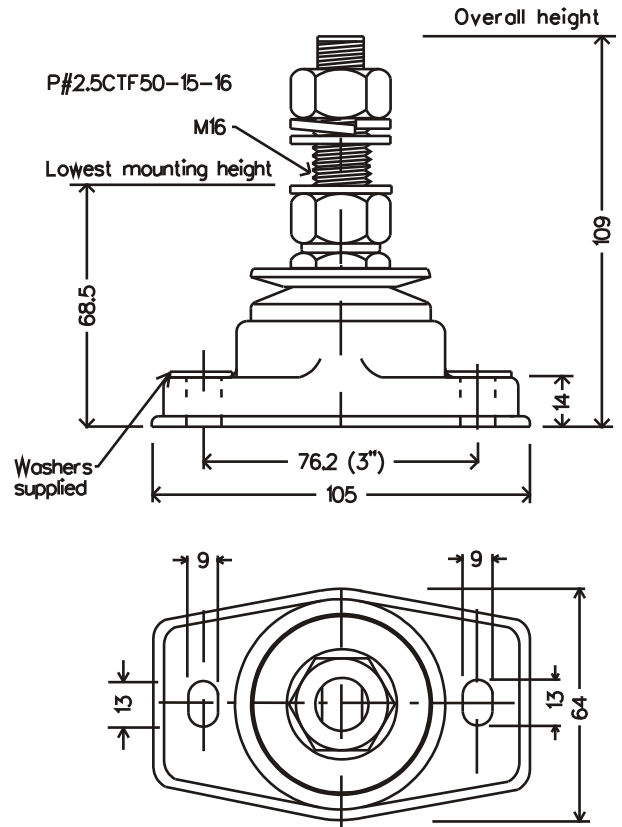
PRODUCT: MOUNT **P-SYSTEM**®

MODEL: **P#2.5CTF50-15-16**

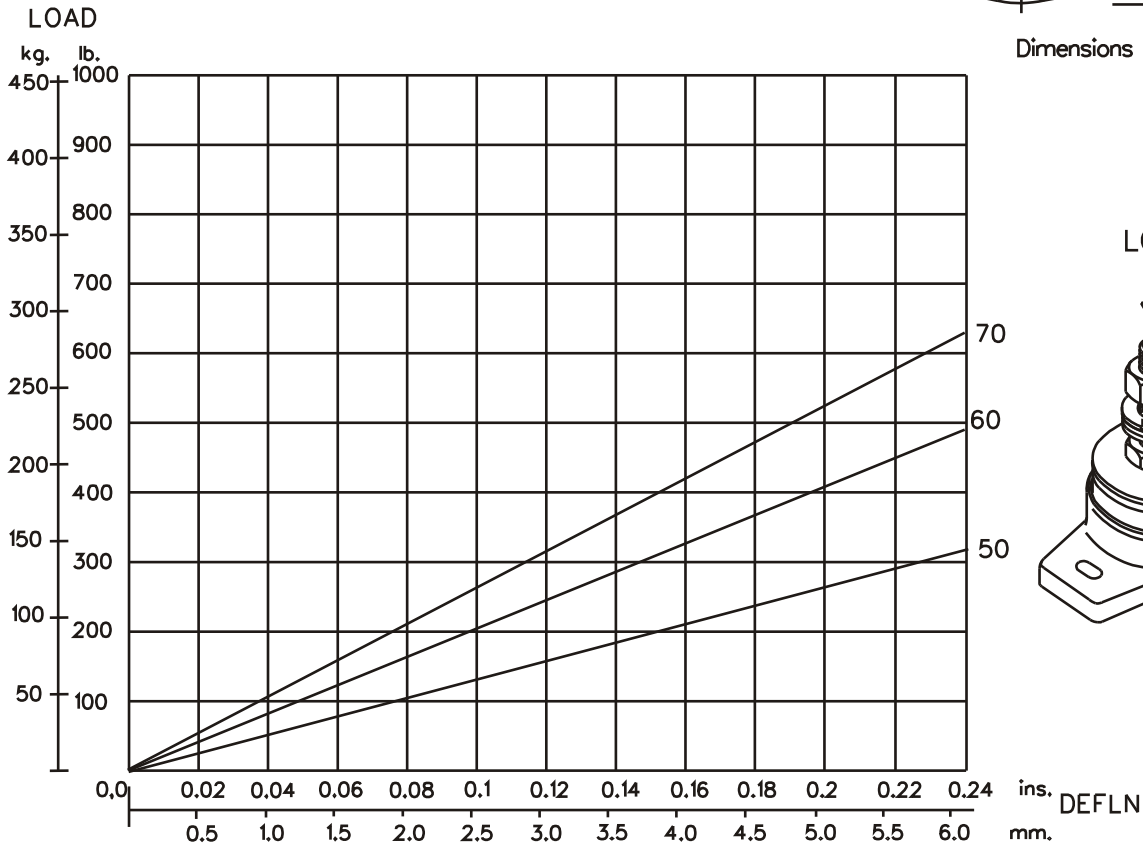
IDENTIFICATION SYSTEM				
P# 2.5 F 50 - 15 - 16 (50)				
BASE TYPE	CORE DIA.	CORE HEIGHT	THREAD SIZE	CORE HARDNESS

CORE COLOUR	SHORE HARDNESS
ORANGE	50
BLUE	60
YELLOW	70

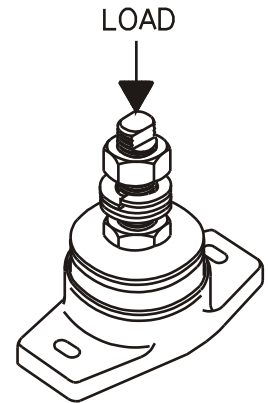
MATERIAL SPECIFICATION
* ENGINEERING GRADE HEAT CURED POLYMER ALLOY
* ALL METAL PARTS - GOLD PASSIVATED ZINC PLATED



Dimensions are in mm.



GRAPH 1 : STATIC AXIAL(VERTICAL) LOAD VS. DEFLECTION



Poly Flex © 2002
Products

DRAWING NO: D2-5CT16
DRAWN PB. 25/6/02