

## POLY FLEX DATA SHEET

PRODUCT: MOUNT P-SYSTEM<sup>®</sup>

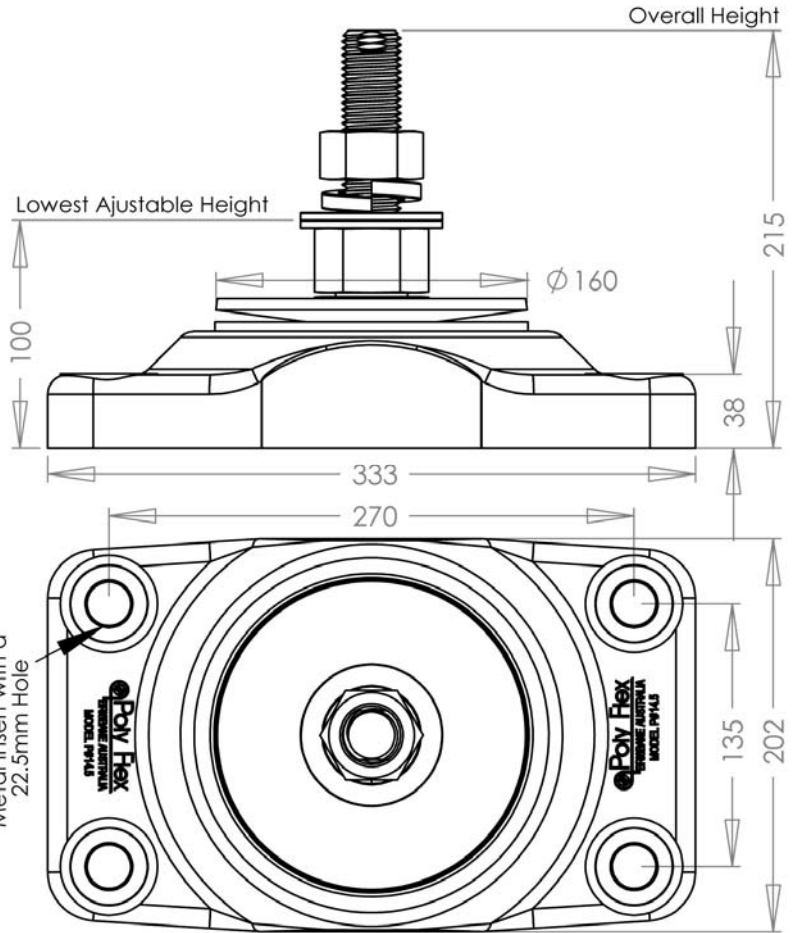
SERIES: 5F SERIES<sup>®</sup>

MODEL: P#14.5F160-20-30 ( ) ADJ

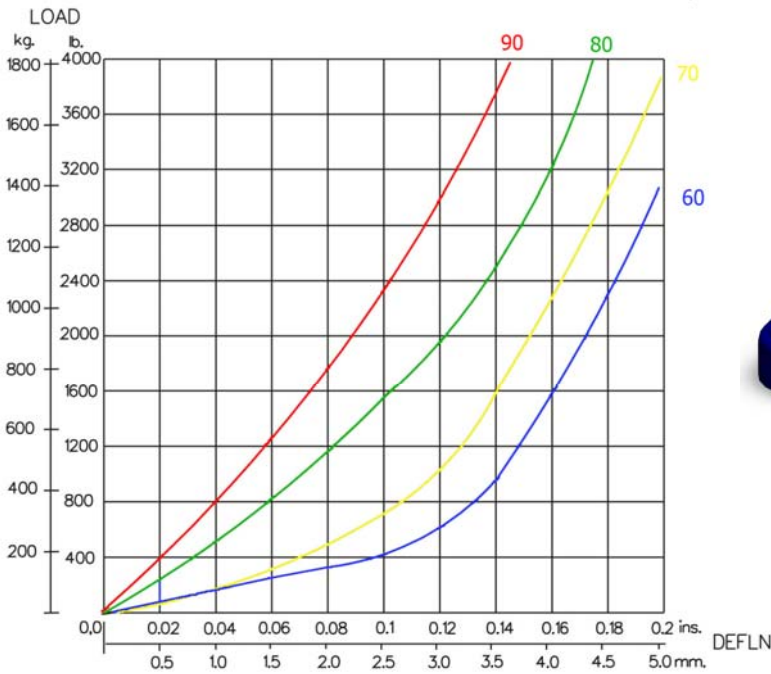
**MATERIAL SPECIFICATION**

- ENGINEERING GRADE HEAT CURED POLYMER ALLOY
- ALL METAL PARTS - SA5 COBALT ZINC PLATED

CORE COLOUR	SHORE HARDNESS
BLUE	60
YELLOW	70
GREEN	80
RED	90

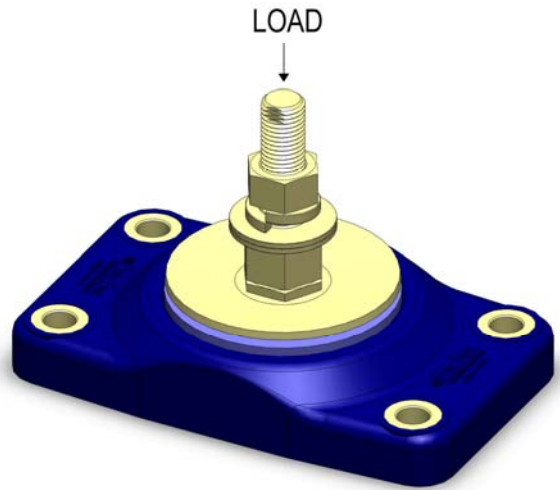


THE FOLLOWING DATA IS SUPPLIED AS A GUIDE ONLY.  
PRODUCT SPECIFICATIONS AND DATA SHEETS ARE SUBJECT TO CHANGE WITHOUT NOTICE.



GRAPH 1: TOTAL STATIC AXIAL(VERTICAL) LOAD VS. DEFLECTION

THE ABOVE DATA IS SUPPLIED AS A GUIDE ONLY  
PRODUCT SPECIFICATIONS AND DATA SHEETS ARE SUBJECT TO CHANGE WITHOUT NOTICE.



**Poly Flex** © 2009  
PRODUCTS  
DRAWING No. P#14.5-30A  
DRAWN OK. 19.06.09