

POLY FLEX DATA SHEET

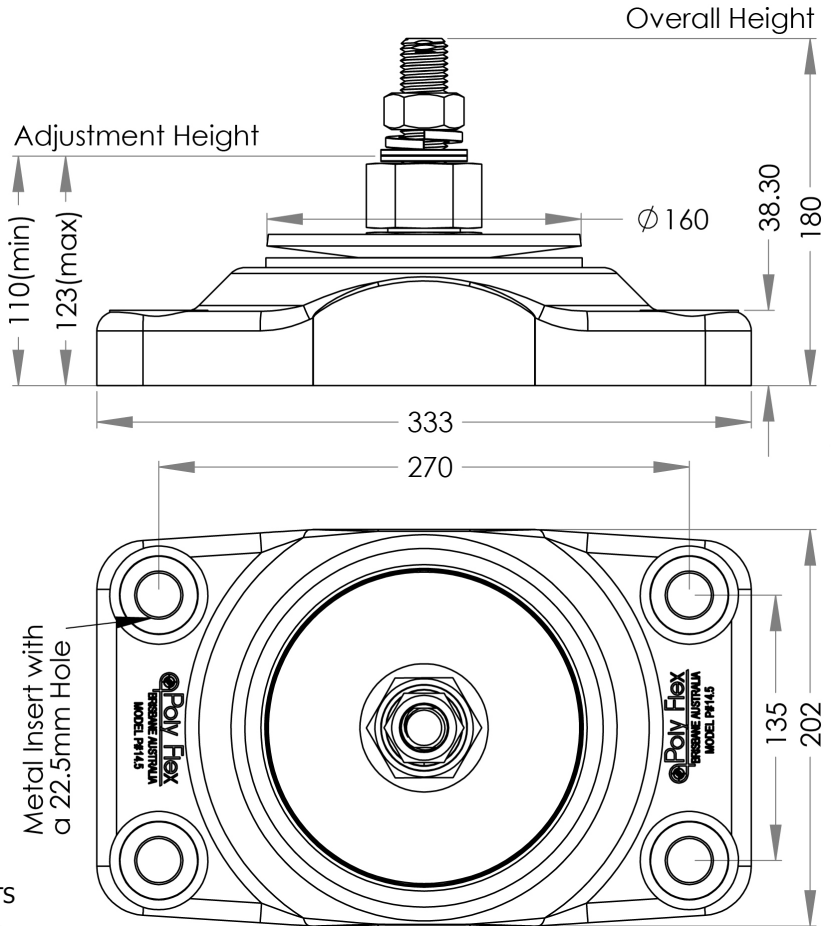
PRODUCT: MOUNT P-SYSTEM®

SERIES: .5F SERIES®

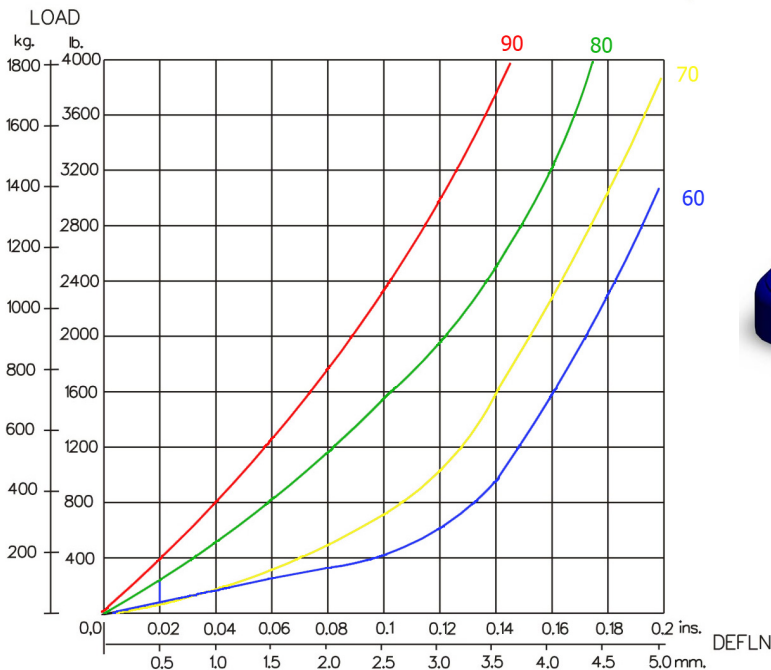
MODEL: P#14.5F160-20-24 () ADJ

| MATERIAL SPECIFICATION | |
|--|--|
| • ENGINEERING GRADE HEAT CURED POLYMER ALLOY | |
| • ALL METAL PARTS – SA5 COBALT ZINC PLATED | |

| CORE COLOUR | SHORE HARDNESS |
|-------------|----------------|
| BLUE | 60 |
| YELLOW | 70 |
| GREEN | 80 |
| RED | 90 |

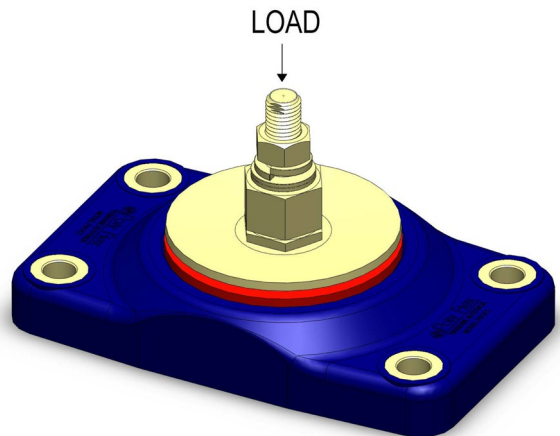


THE FOLLOWING DATA IS SUPPLIED AS A GUIDE ONLY.
PRODUCT SPECIFICATIONS AND DATA SHEETS ARE SUBJECT TO CHANGE WITHOUT NOTICE.



GRAPH 1 : TOTAL STATIC AXIAL(VERTICAL) LOAD VS. DEFLECTION

THE ABOVE DATA IS SUPPLIED AS A GUIDE ONLY
PRODUCT SPECIFICATIONS AND DATA SHEETS ARE SUBJECT TO CHANGE WITHOUT NOTICE.



Poly Flex © 2009
PRODUCTS
DRAWING No. P#14.5-24A
DRAWN OK. 19.06.09