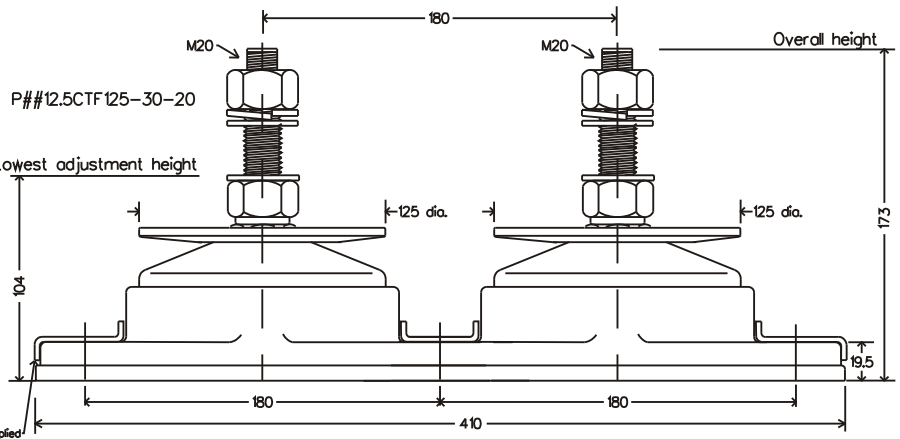


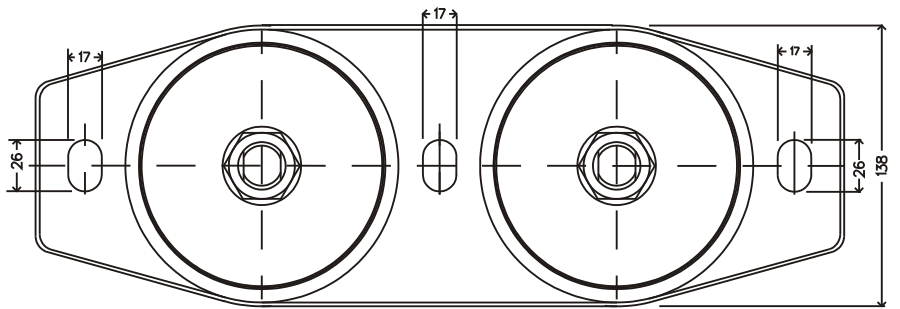
POLY FLEX DATA SHEET

PRODUCT: MOUNT **P-SYSTEM**<sup>®</sup>  
MODEL: P# # 12.5CTF125-30-20



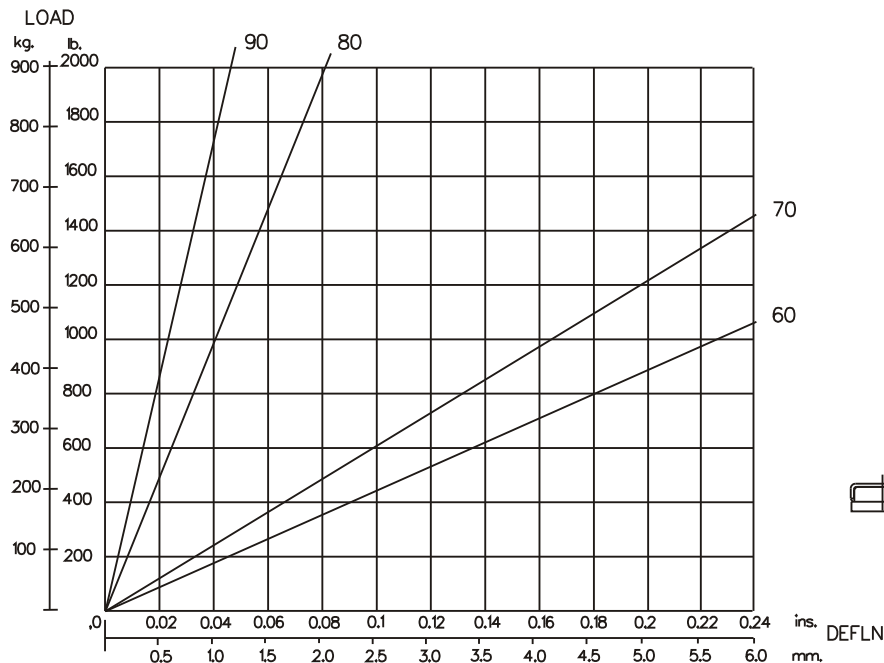
IDENTIFICATION SYSTEM				
P# # F# # - # # - # # ( # # )				
BASE TYPE	CORE DIA.	CORE HEIGHT	THREAD SIZE	CORE HARDNESS

CORE COLOUR	SHORE HARDNESS
ORANGE	50
BLUE	60
YELLOW	70
GREEN	80
RED	90



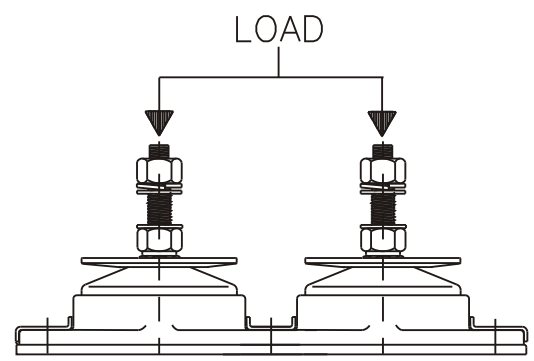
Dimensions are in mm.

MATERIAL SPECIFICATION	
* ENGINEERING GRADE HEAT CURED POLYMER ALLOY	
* ALL METAL PARTS - GOLD PASSIVATED ZINC PLATED	



GRAPH 1 : STATIC AXIAL(VERTICAL) LOAD VS. DEFLECTION

THE ABOVE DATA IS SUPPLIED AS A GUIDE ONLY  
PRODUCT SPECIFICATIONS AND DATA SHEETS ARE SUBJECT TO CHANGE WITHOUT NOTICE.



**Poly Flex** © 2004  
Products

DRAWING NO: DD12-5CTF20  
DRAWN PB. 4/2/04