

POLY FLEX DATA SHEET

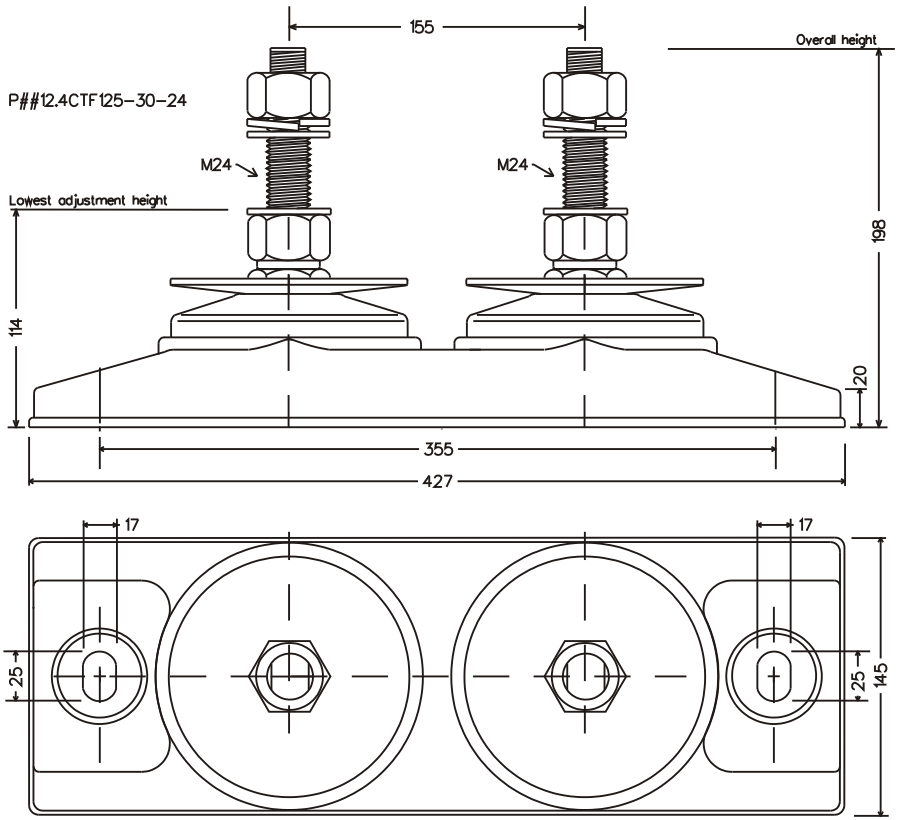
PRODUCT: MOUNT **P-SYSTEM**[®]
MODEL: **P##12.4CTF125-30-24**

P##12.4CTF125-30-24

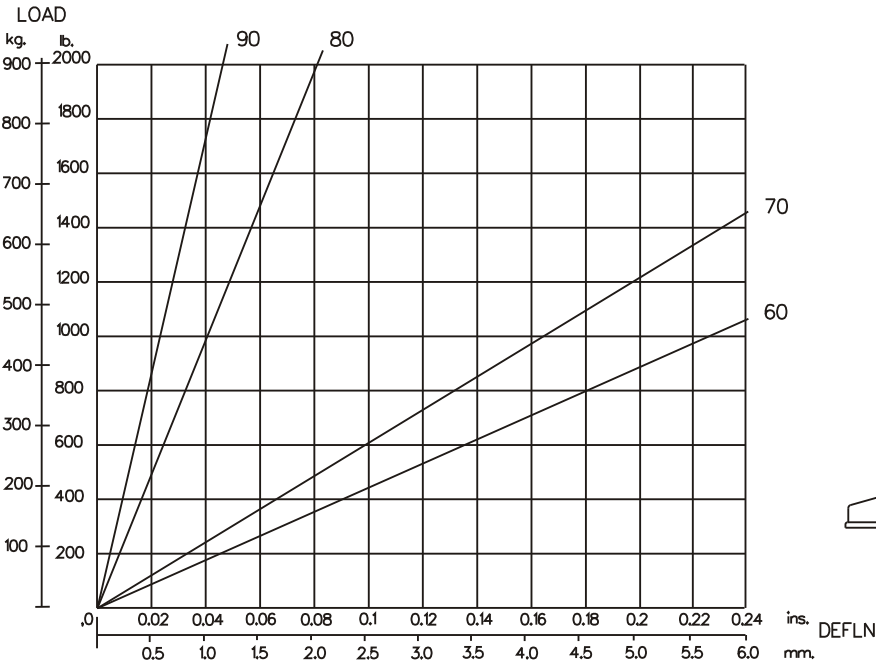
| IDENTIFICATION SYSTEM | | | | |
|-----------------------|-----------|-------------|-------------|---------------|
| BASE TYPE | CORE DIA. | CORE HEIGHT | THREAD SIZE | CORE HARDNESS |
| P | # | F | 12.4 | CTF |
| | | | | |

| CORE COLOUR | SHORE HARDNESS |
|-------------|----------------|
| ORANGE | 50 |
| BLUE | 60 |
| YELLOW | 70 |
| GREEN | 80 |
| RED | 90 |

| MATERIAL SPECIFICATION | |
|---|--|
| * ENGINEERING GRADE HEAT CURED POLYMER ALLOY | |
| * ALL METAL PARTS - GOLD PASSIVATED ZINC PLATED | |

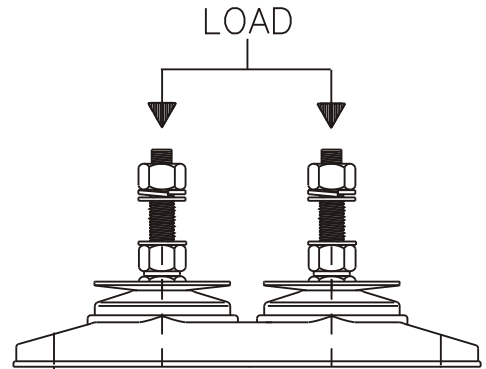


Dimensions are in mm.



GRAPH 1 : STATIC AXIAL(VERTICAL) LOAD VS. DEFLECTION

THE ABOVE DATA IS SUPPLIED AS A GUIDE ONLY
PRODUCT SPECIFICATIONS AND DATA SHEETS ARE SUBJECT TO CHANGE WITHOUT NOTICE.



Poly Flex © 2003
Products

DRAWING NO: DD12-4CTF24
DRAWN PB: 27/5/03