

POLY FLEX DATA SHEET

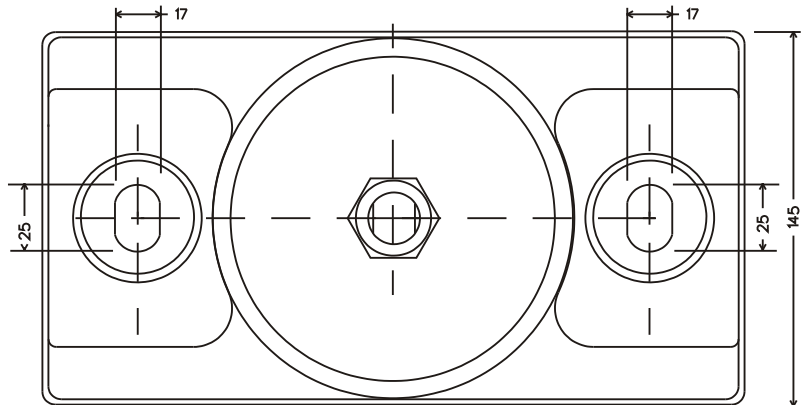
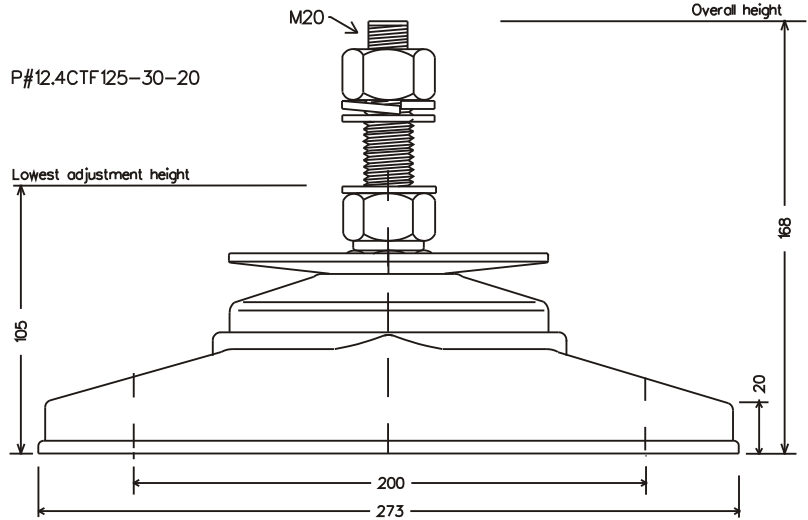
PRODUCT: MOUNT **P-SYSTEM**®

MODEL: **P#12.4CTF125-30-20**

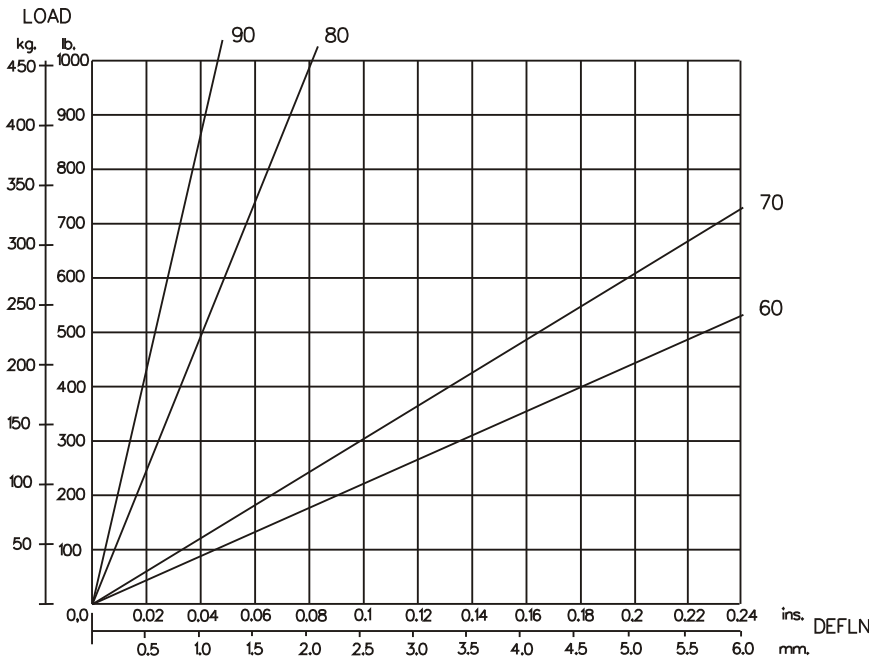
| IDENTIFICATION SYSTEM | | | | |
|-----------------------|-----------|-------------|-------------|---------------|
| BASE TYPE | CORE DIA. | CORE HEIGHT | THREAD SIZE | CORE HARDNESS |
| P# | F | 125 | 30 | 20 |

| CORE COLOUR | SHORE HARDNESS |
|-------------|----------------|
| ORANGE | 50 |
| BLUE | 60 |
| YELLOW | 70 |
| GREEN | 80 |
| RED | 90 |

| MATERIAL SPECIFICATION |
|---|
| • ENGINEERING GRADE HEAT CURED POLYMER ALLOY |
| • ALL METAL PARTS - GOLD PASSIVATED ZINC PLATED |

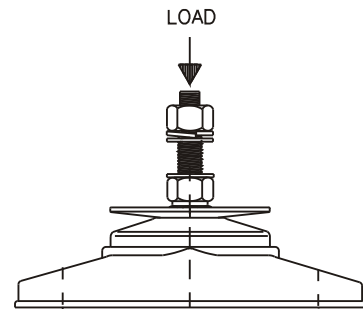


Dimensions are in mm.



GRAPH 1 : STATIC AXIAL(VERTICAL) LOAD VS. DEFLECTION

THE ABOVE DATA IS SUPPLIED AS A GUIDE ONLY
PRODUCT SPECIFICATIONS AND DATA SHEETS ARE SUBJECT TO CHANGE WITHOUT NOTICE.



Poly Flex © 2003
Products

DRAWING NO: D12-4CTF20
DRAWN PB: 27/5/03