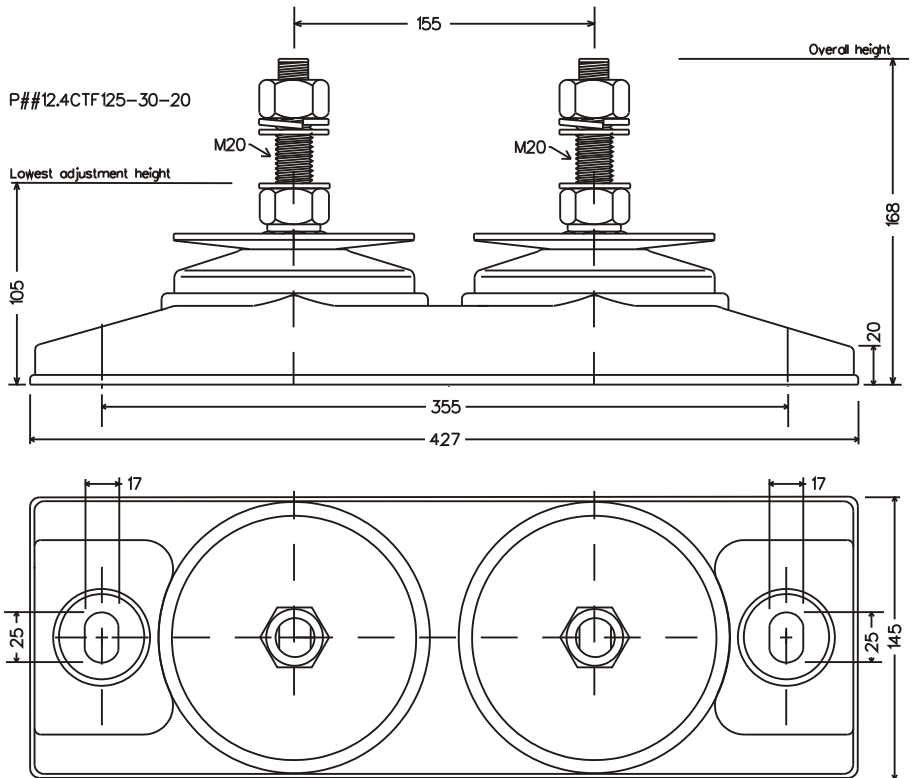


POLY FLEX DATA SHEET

PRODUCT: MOUNT **P-SYSTEM**[®]
MODEL: **P# # 12.4CTF125-30-20**

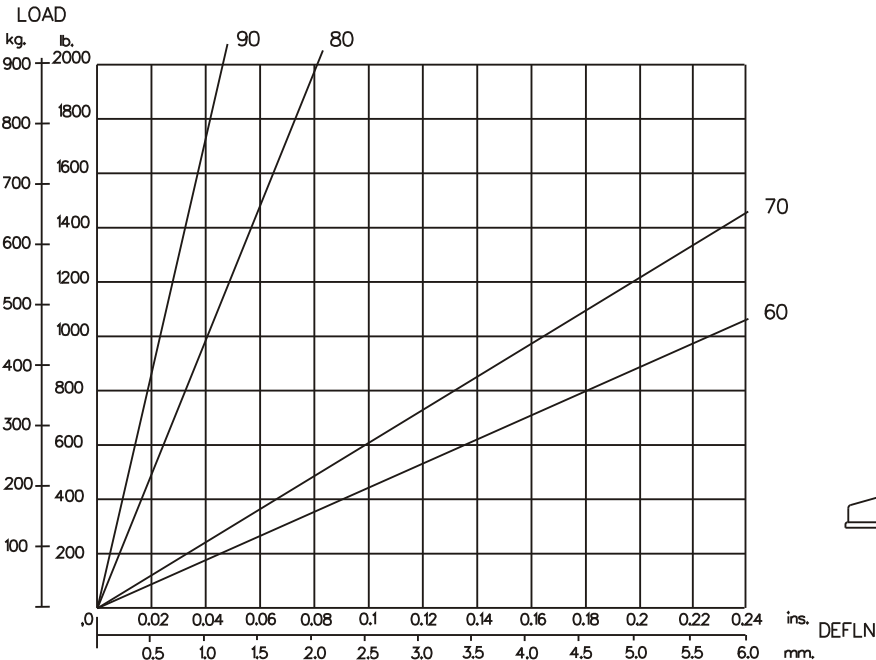


IDENTIFICATION SYSTEM				
P# # F [] [] - [] [] - [] [] ([] [])				
BASE TYPE	CORE DIA.	CORE HEIGHT	THREAD SIZE	CORE HARDNESS

CORE COLOUR	SHORE HARDNESS
ORANGE	50
BLUE	60
YELLOW	70
GREEN	80
RED	90

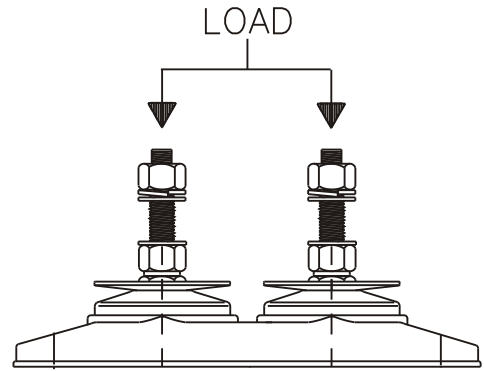
MATERIAL SPECIFICATION
• ENGINEERING GRADE HEAT CURED POLYMER ALLOY
• ALL METAL PARTS - GOLD PASSIVATED ZINC PLATED

Dimensions are in mm.



GRAPH 1 : STATIC AXIAL(VERTICAL) LOAD VS. DEFLECTION

THE ABOVE DATA IS SUPPLIED AS A GUIDE ONLY
PRODUCT SPECIFICATIONS AND DATA SHEETS ARE SUBJECT TO CHANGE WITHOUT NOTICE.



Poly Flex © 2003
Products

DRAWING NO: DD12-4CTF20
DRAWN PB. 27/5/03