

**POLY FLEX DATA SHEET**

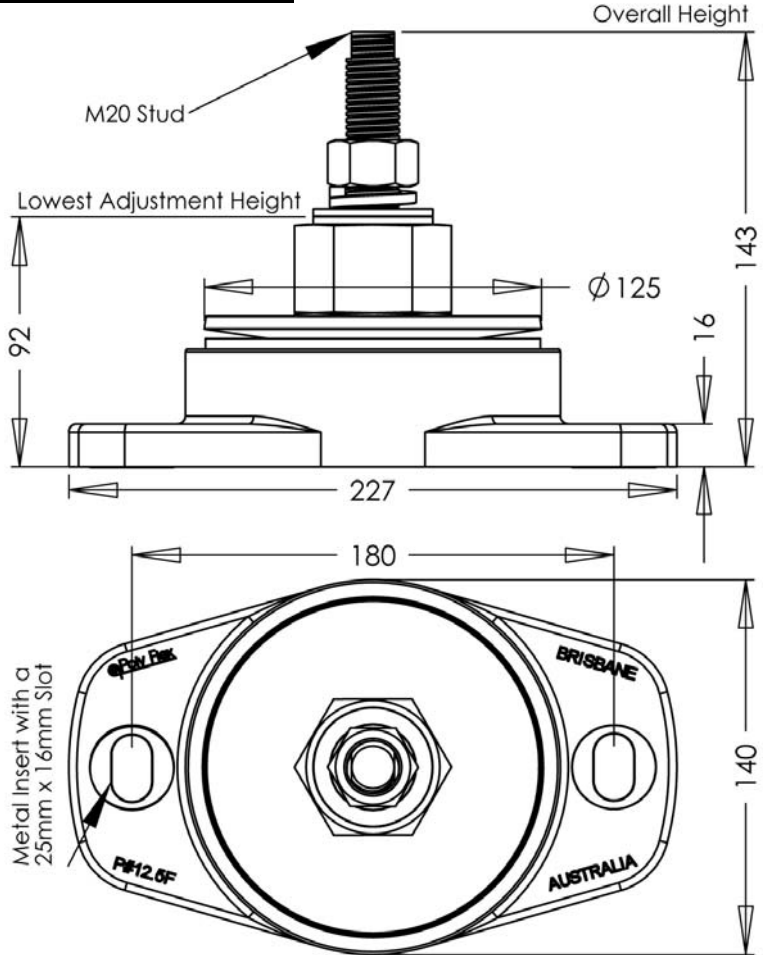
PRODUCT: MOUNT **P-SYSTEM**<sup>®</sup>

SERIES: **5F SERIES**

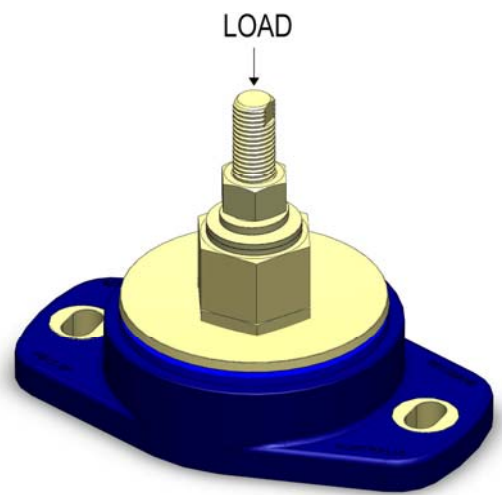
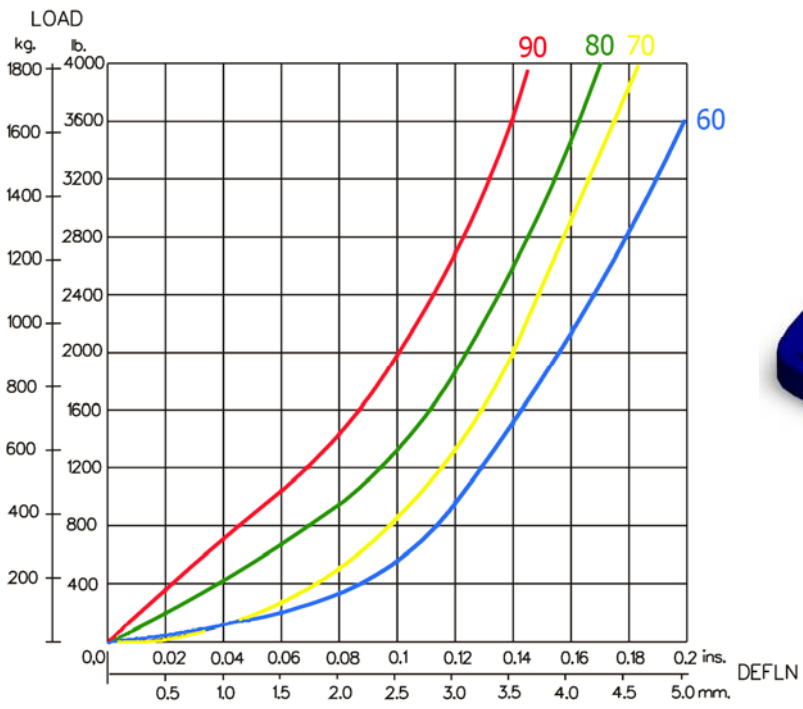
MODEL: P#12.5F125-12-20 ( ) ADJ

MATERIAL SPECIFICATION	
• ENGINEERING GRADE HEAT CURED POLYMER ALLOY	
• ALL METAL PARTS - SA5 COBALT ZINC PLATED	

CORE COLOUR	SHORE HARDNESS
BLUE	60
YELLOW	70
GREEN	80
RED	90



THE FOLLOWING DATA IS SUPPLIED AS A GUIDE ONLY. PRODUCT SPECIFICATIONS AND DATA SHEETS ARE SUBJECT TO CHANGE WITHOUT NOTICE.



**Poly Flex** © 2009  
PRODUCTS  
DRAWING No. P#12.5F-20A  
DRAWN OK. 11.06.09

GRAPH 1: TOTAL STATIC AXIAL (VERTICAL) LOAD VS. DEFLECTION