

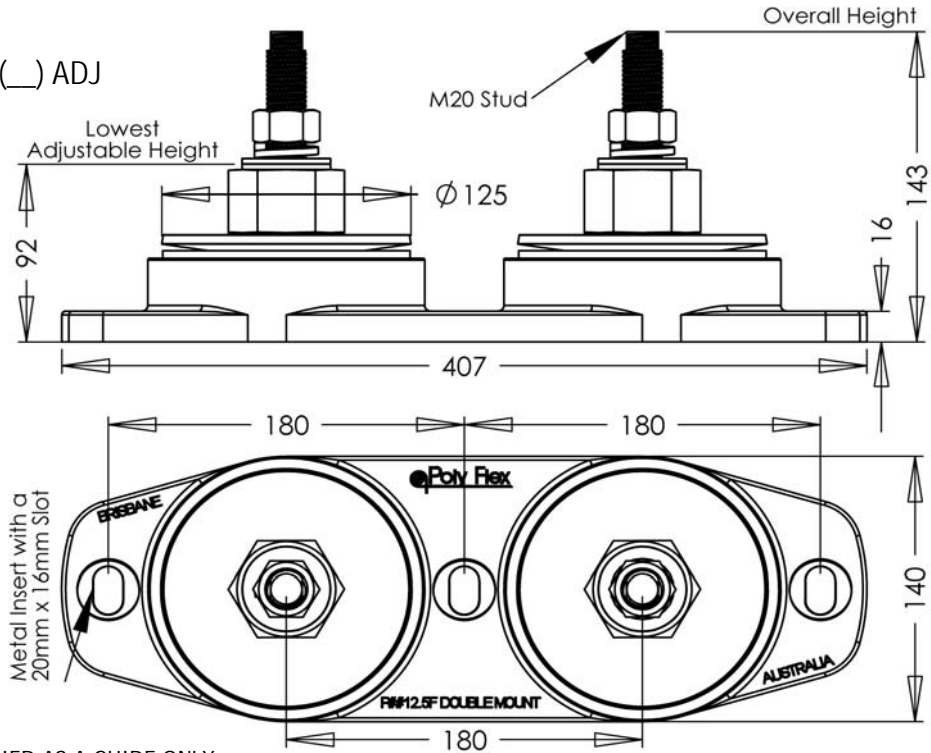
POLY FLEX DATA SHEET

PRODUCT: MOUNT **P-SYSTEM**[®]

SERIES: **.5F SERIES**

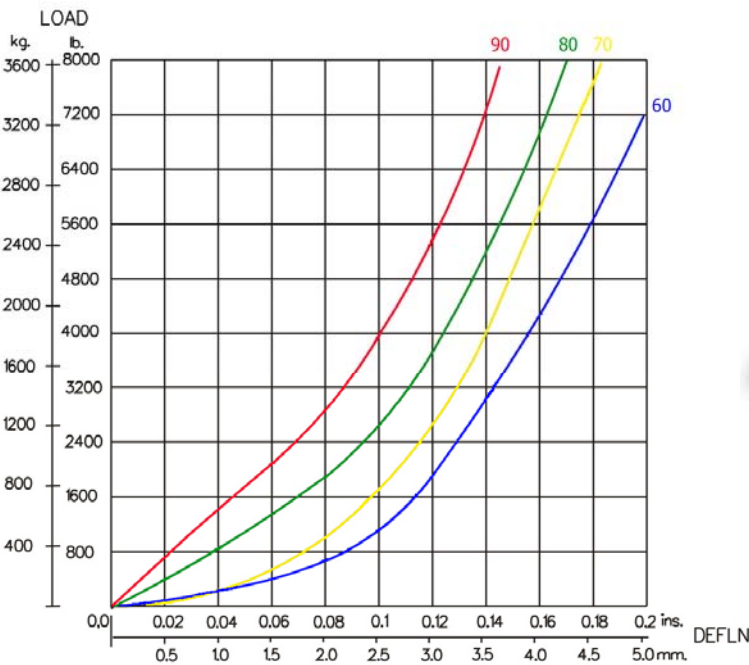
MODEL: P##12.5F125-12-20 () ADJ

MATERIAL SPECIFICATION	
•	ENGINEERING GRADE HEAT CURED POLYMER ALLOY
•	ALL METAL PARTS – SA5 COBALT ZINC PLATED

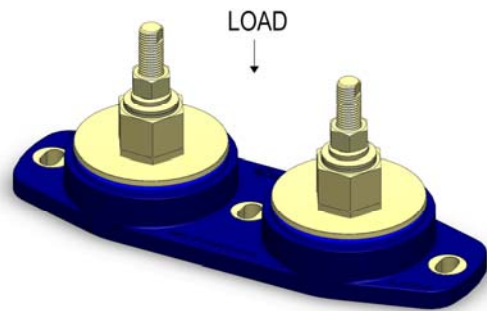


THE FOLLOWING DATA IS SUPPLIED AS A GUIDE ONLY.
PRODUCT SPECIFICATIONS AND DATA SHEETS ARE SUBJECT TO CHANGE WITHOUT NOTICE.

CORE COLOUR	SHORE HARDNESS
BLUE	60
YELLOW	70
GREEN	80
RED	90



GRAPH 1 : TOTAL STATIC AXIAL (VERTICAL) LOAD VS. DEFLECTION



Poly Flex © 2009
PRODUCTS

DRAWING No. P##12.5F-20A
DRAWN OK. 12.06.09

THE ABOVE DATA IS SUPPLIED AS A GUIDE ONLY.
PRODUCT SPECIFICATIONS AND DATA SHEETS ARE SUBJECT TO CHANGE WITHOUT NOTICE.