

POLY FLEX DATA SHEET

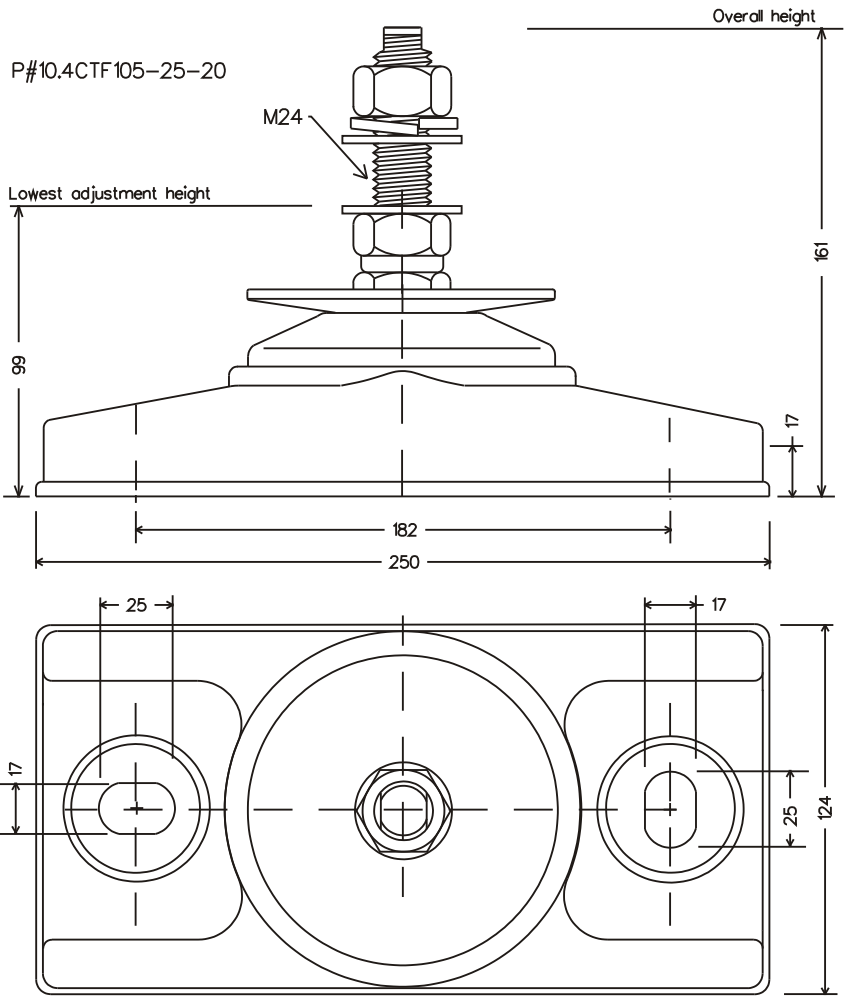
PRODUCT: MOUNT **P-SYSTEM**®

MODEL: **P#10.4CTF105-25-20**

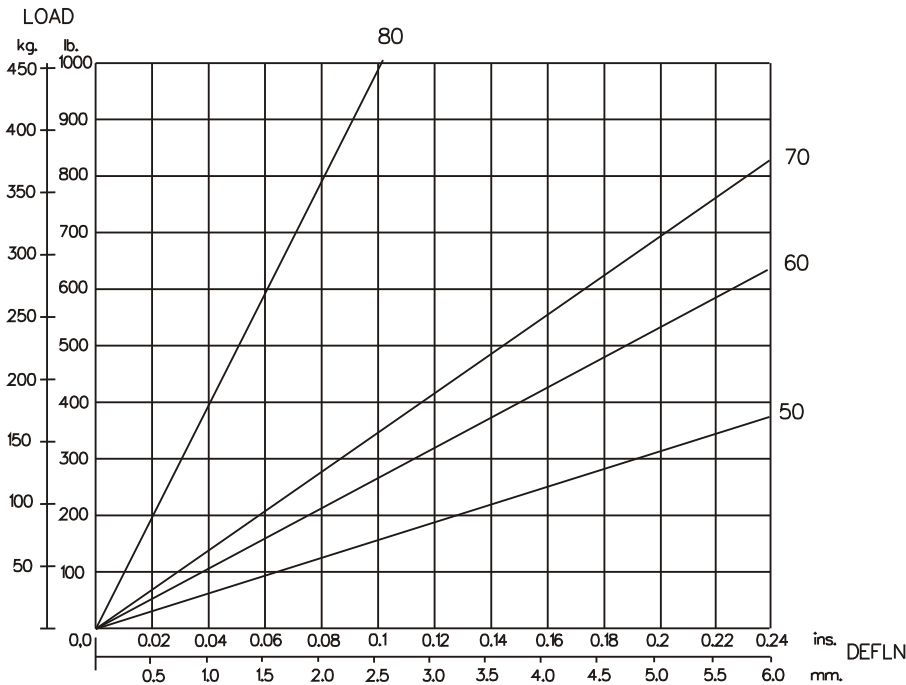
IDENTIFICATION SYSTEM				
P# F 10 4 CTF 105 -25 -20 (80)				
BASE TYPE	CORE DIA.	CORE HEIGHT	THREAD SIZE	CORE HARDNESS

CORE COLOUR	SHORE HARDNESS
ORANGE	50
BLUE	60
YELLOW	70
LIGHT GREEN	80

MATERIAL SPECIFICATION	
* ENGINEERING GRADE HEAT CURED POLYMER ALLOY	
* ALL METAL PARTS - GOLD PASSIVATED ZINC PLATED	

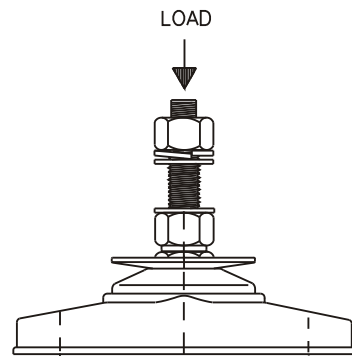


Dimensions are in mm.



GRAPH 1 : STATIC AXIAL (VERTICAL) LOAD VS. DEFLECTION

THE ABOVE DATA IS SUPPLIED AS A GUIDE ONLY
PRODUCT SPECIFICATIONS AND DATA SHEETS ARE SUBJECT TO CHANGE WITHOUT NOTICE.



Poly Flex © 2003
Products

DRAWING NO: D10-4C20
DRAWN PB. 19/9/03