

POLY FLEX DATA SHEET

PRODUCT: MOUNT P-SYSTEM®

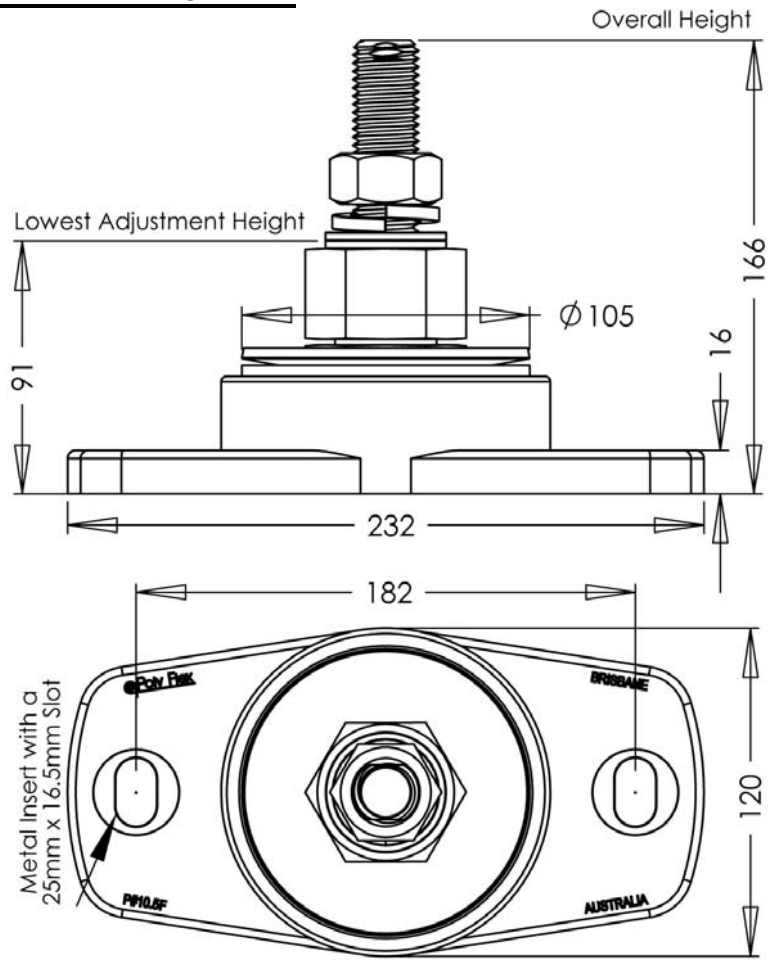
SERIES: 5F SERIES®

MODEL: P#10.5F105-12-24 () ADJ

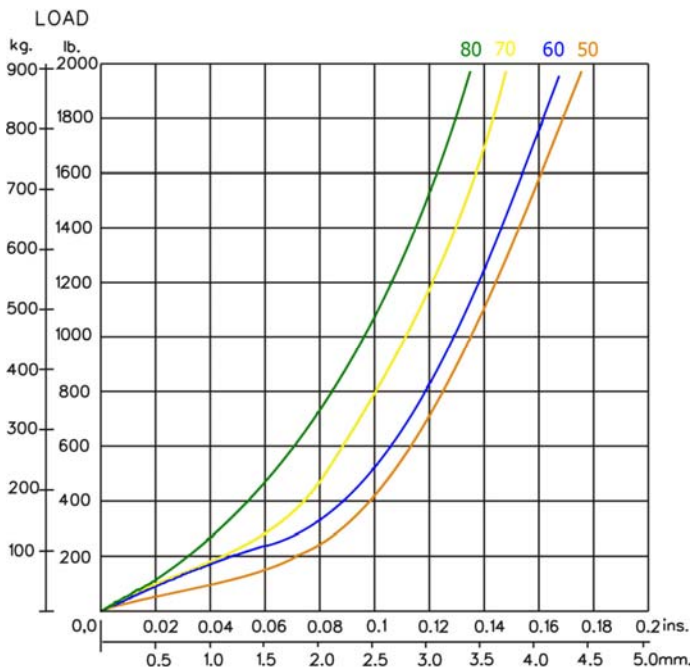
MATERIAL SPECIFICATION

- ENGINEERING GRADE HEAT CURED POLYMER ALLOY
- ALL METAL PARTS - SA5 COBALT ZINC PLATED

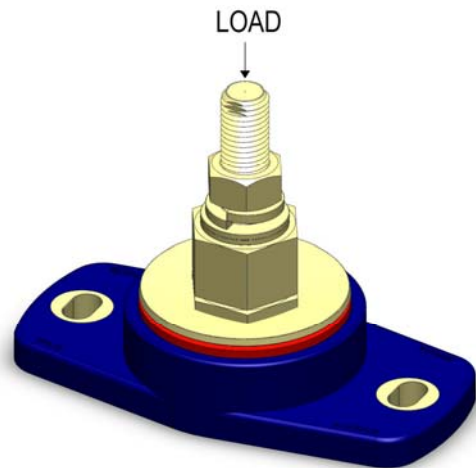
CORE COLOUR	SHORE HARDNESS
ORANGE	50
BLUE	60
YELLOW	70
GREEN	80



THE FOLLOWING DATA IS SUPPLIED AS A GUIDE ONLY. PRODUCT SPECIFICATIONS AND DATA SHEETS ARE SUBJECT TO CHANGE WITHOUT NOTICE.



GRAPH 1 : STATIC AXIAL (VERTICAL) LOAD VS. DEFLECTION



Poly Flex © 2009
PRODUCTS
DRAWING No. P#10.5F-24A
DRAWN OK. 30.06.09