

POLY FLEX DATA SHEET

PRODUCT: MOUNT P-SYSTEM[®]

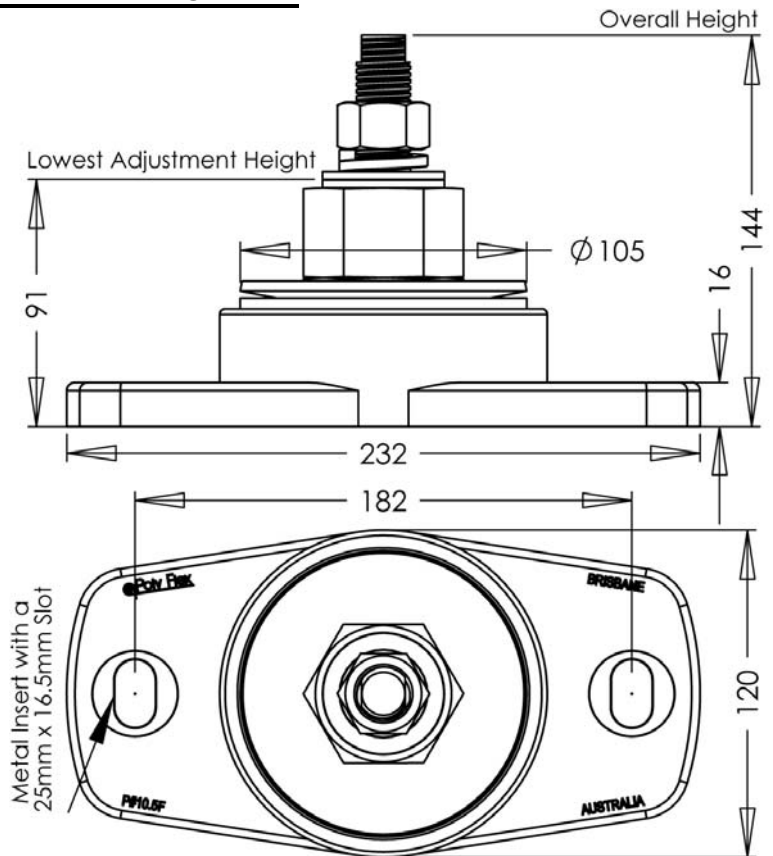
SERIES: .5F SERIES[®]

MODEL: P#10.5F105-12-20 () ADJ

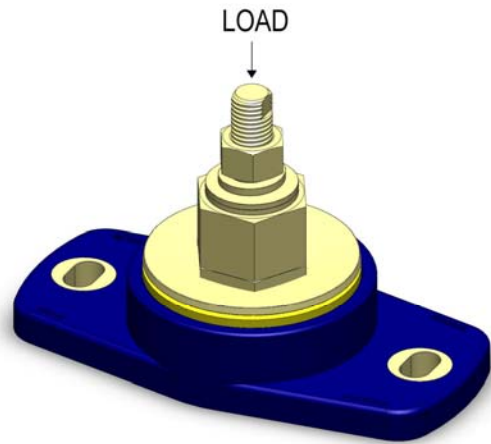
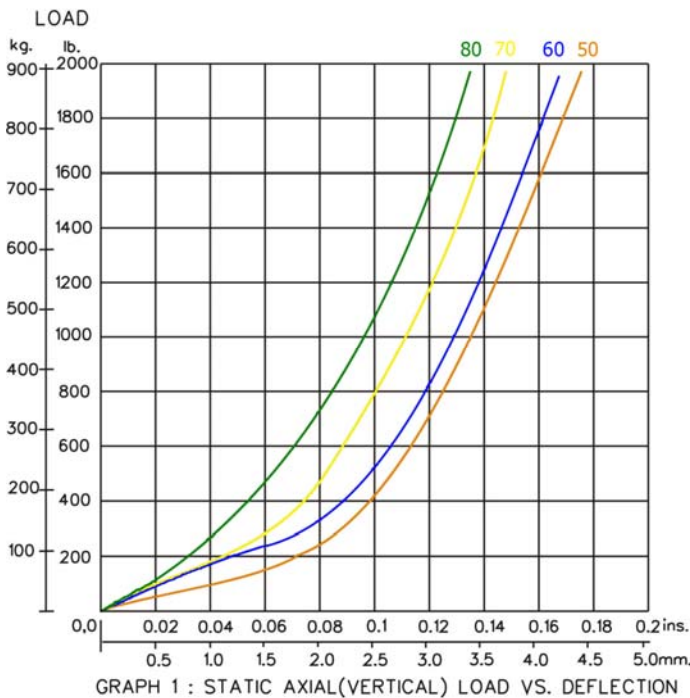
MATERIAL SPECIFICATION

- ENGINEERING GRADE HEAT CURED POLYMER ALLOY
- ALL METAL PARTS - SA5 COBALT ZINC PLATED

CORE COLOUR	SHORE HARDNESS
ORANGE	50
BLUE	60
YELLOW	70
GREEN	80



THE FOLLOWING DATA IS SUPPLIED AS A GUIDE ONLY.
PRODUCT SPECIFICATIONS AND DATA SHEETS ARE SUBJECT TO CHANGE WITHOUT NOTICE.



Poly Flex © 2009
PRODUCTS
DRAWING No. P#10.5F-20A
DRAWN OK. 30.06.09