

**POLY FLEX DATA SHEET**

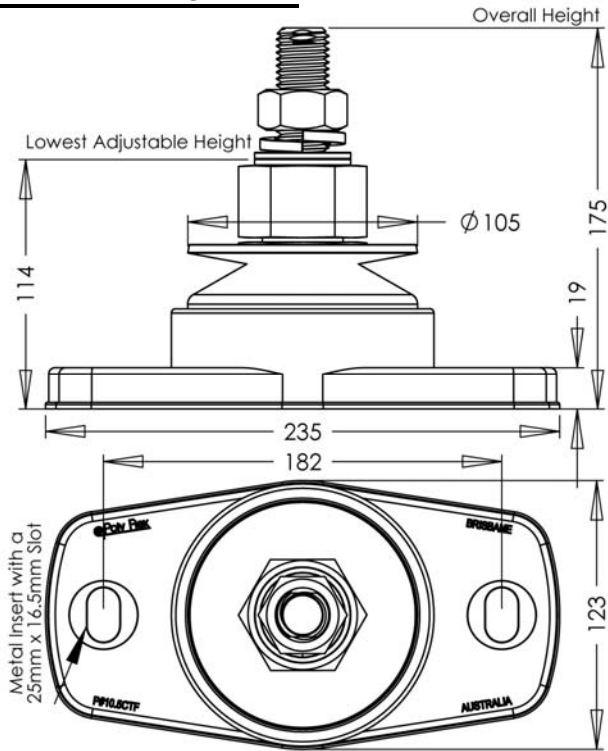
PRODUCT: MOUNT **P-SYSTEM**<sup>®</sup>

SERIES: **5CTF SERIES**<sup>®</sup>

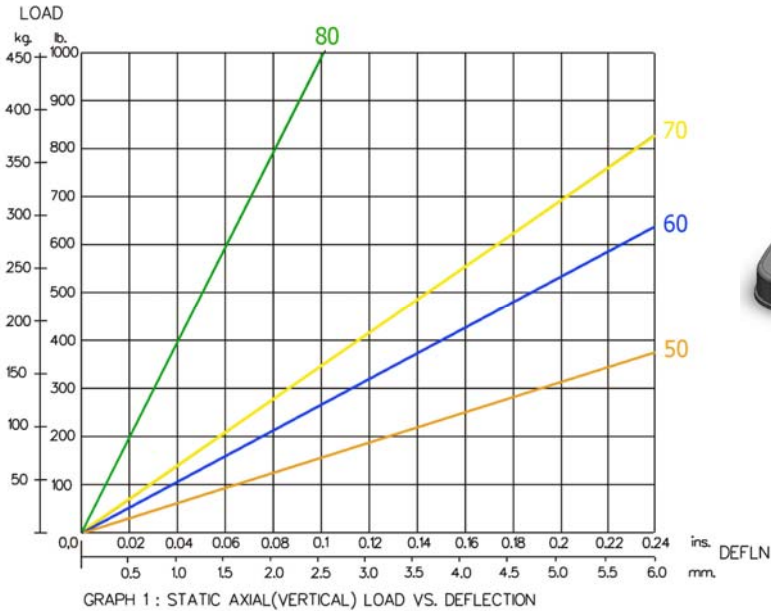
MODEL: P#10.5CTF 105-25-24 ( ) ADJ

MATERIAL SPECIFICATION	
• ENGINEERING GRADE HEAT CURED POLYMER ALLOY	
• ALL METAL PARTS - SA5 COBALT ZINC PLATED	

CORE COLOUR	SHORE HARDNESS
ORANGE	50
BLUE	60
YELLOW	70
GREEN	80



THE FOLLOWING DATA IS SUPPLIED AS A GUIDE ONLY.  
PRODUCT SPECIFICATIONS AND DATA SHEETS ARE SUBJECT TO CHANGE WITHOUT NOTICE.



**Poly Flex** © 2009  
PRODUCTS

DRAWING No. P#10.5CTF-24A  
DRAWN OK. 21.07.09