

# POLY FLEX DATA SHEET

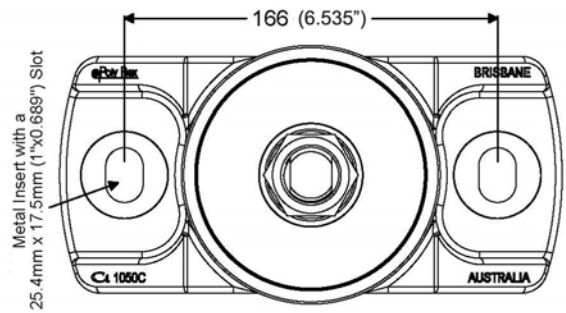
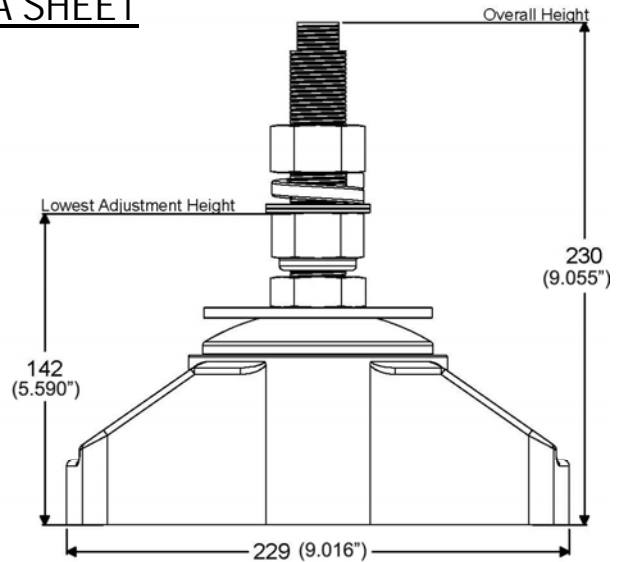
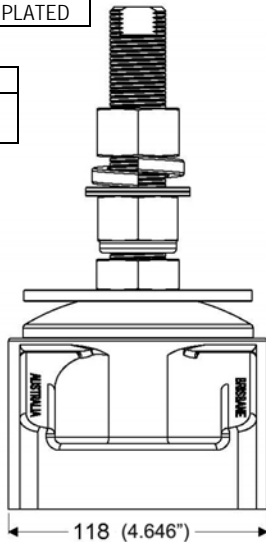
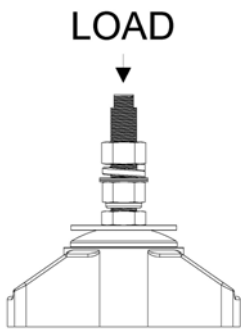
PRODUCT: MOUNT **P-SYSTEM**®

SERIES: **Ci SERIES**®

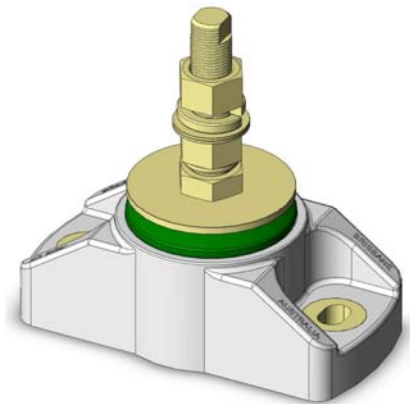
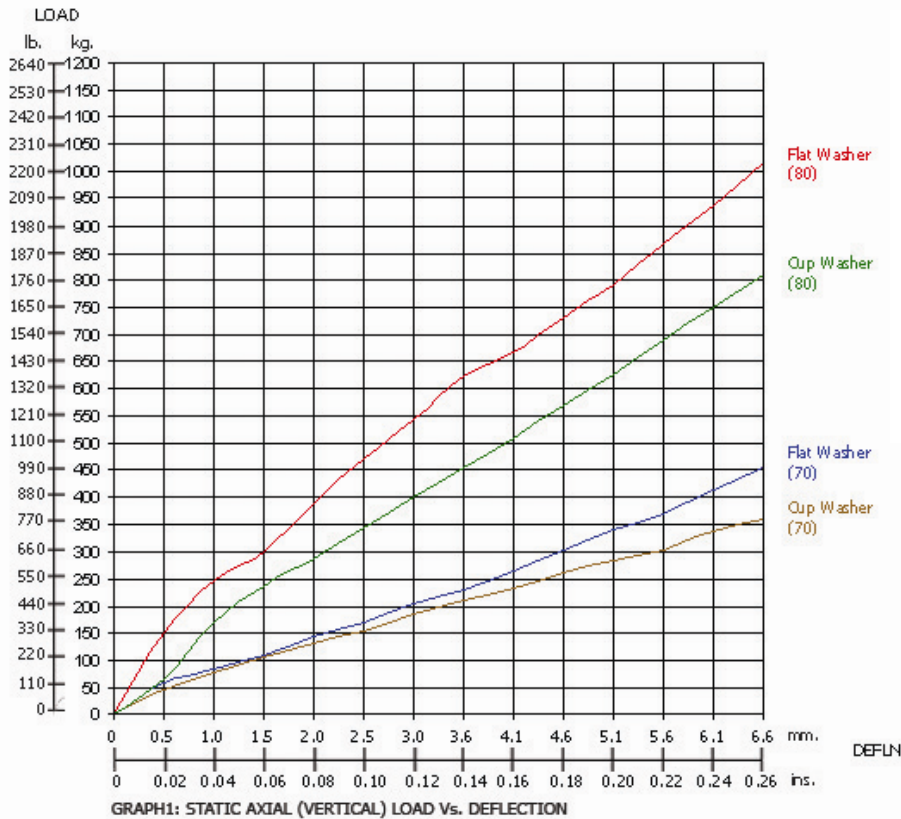
MODEL: Ci1050C-1" ( )

MATERIAL SPECIFICATION	
• ENGINEERING GRADE HEAT CURED POLYMER ALLOY	
• ALL METAL PARTS - GOLD PASSIVATED ZINC PLATED	

CORE COLOUR	SHORE HARDNESS
YELLOW	70
GREEN	80



Dimensions are in mm & (inches).



**Poly Flex** © 2009  
PRODUCTS  
DRAWING No. Ci1050C-1  
DRAWN OK. 15.06.09