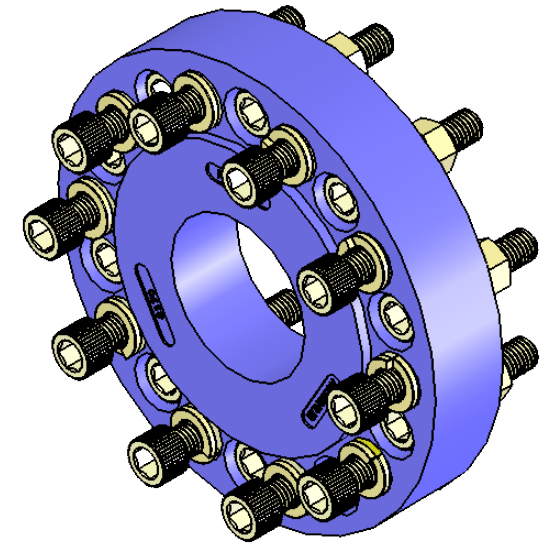
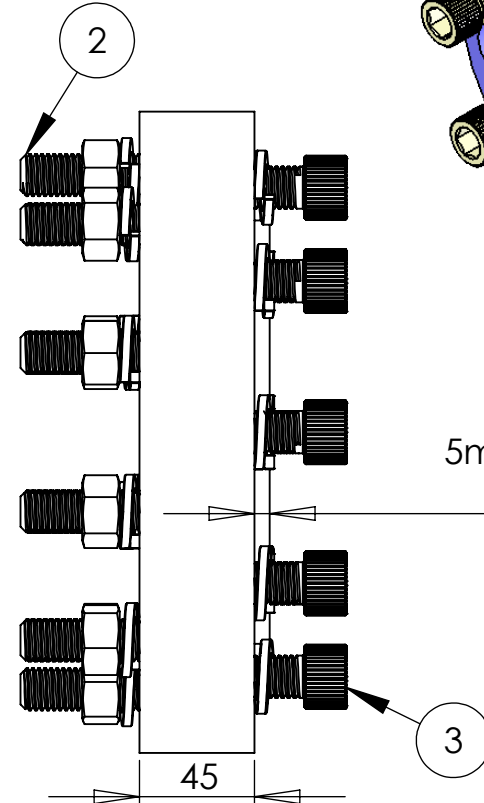
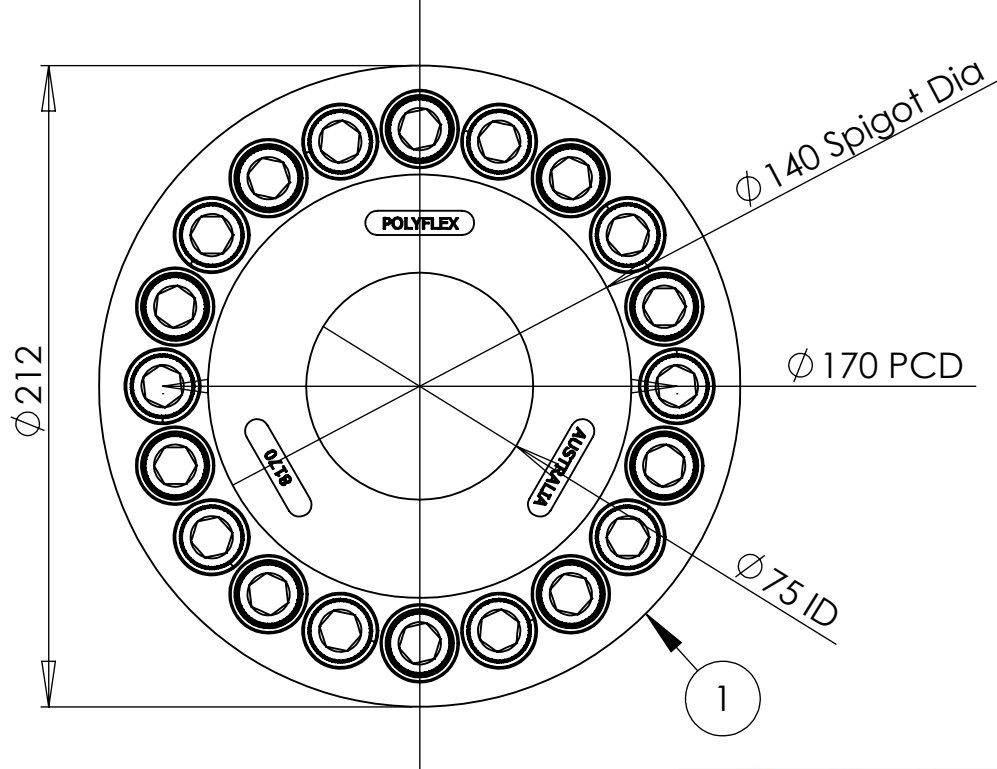


Note: 14mm - 18mm steel bushing kit (20 off) supplied with coupling.

- ① Coupling Disc - ENG Grade polymer alloy (Heat Cured) - 1 off
- ② M14 x 60mm SHCS, Nut & S/W - Bolt Grade 10 HT - 10 off
- ③ M14 X 45mm SHCS & S/W - Bolt Grade 10 HT - 10 off



UNLESS OTHERWISE SPECIFIED:
 DIMENSIONS ARE IN MILLIMETERS
 SURFACE FINISH:
 TOLERANCES:
 LINEAR: ± 0.25
 ANGULAR: ± 0.25

DO NOT SCALE DRAWING REVISION A

COMMENTS:

TITLE:
**8170-4-95 Flexible Coupling
 95 Blue Duro**

	NAME	SIGNATURE	DATE
DRAWN	OK		26.03.07
CHK'D	OK		26.03.07
APPV'D			
MFG	OK		---
Q.A			

MATERIAL:
95 Duro Urethane

DWG NO. **8170-4-95 Flexible Coupling** A4

PROPRIETARY & CONFIDENTIAL
 THE INFORMATION CONTAINED IN THIS DRAWING IS THE SOLE PROPERTY OF
 POLY FLEX GROUP PTY LTD. ANY REPRODUCTION IN PART OR AS A WHOLE
 WITHOUT THE WRITTEN PERMISSION OF POLY FLEX GROUP PTY LTD IS PROHIBITED.