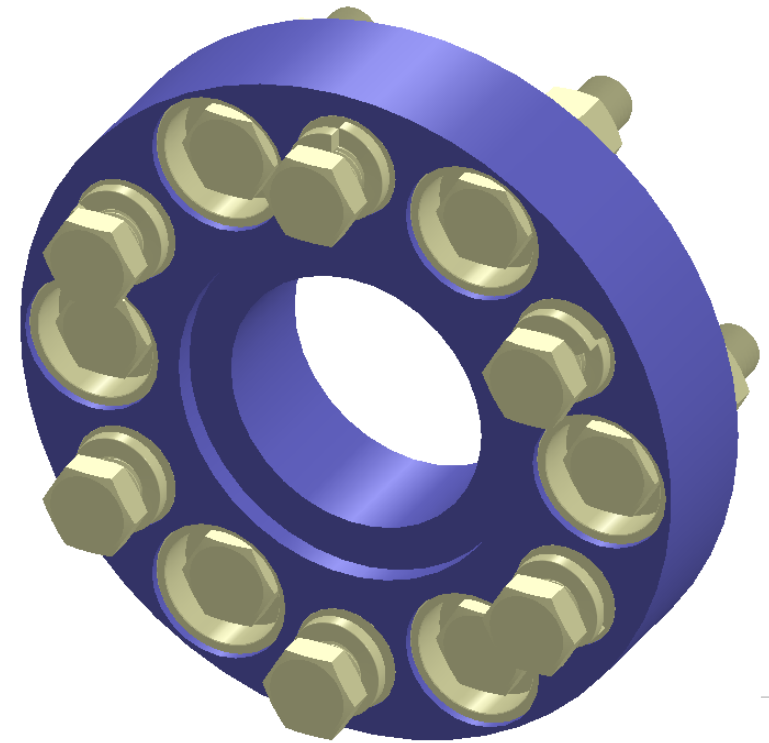
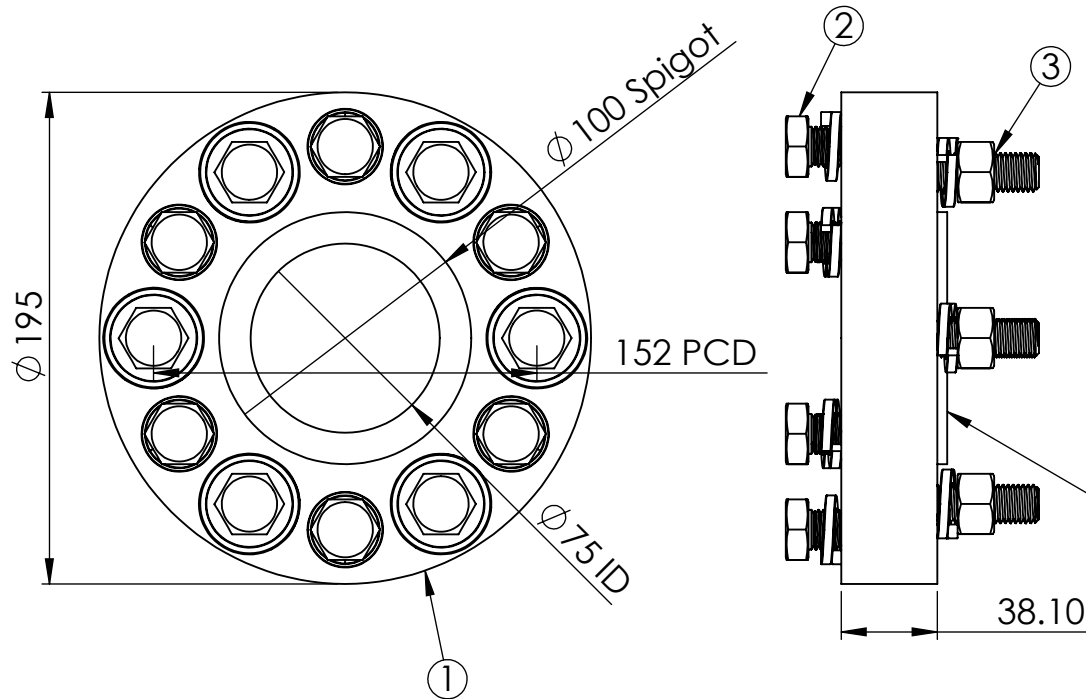


① Coupling Disc - ENG Grade polymer alloy (Heat Cured) - 1 off

② M16 X 40mm Hex Bolt & S/W - Bolt Grade 8 HT - 6 off

③ M16 x 65mm Hex Bolt, Nut & S/W - Bolt Grade 8 HT - 6 off



UNLESS OTHERWISE SPECIFIED:
DIMENSIONS ARE IN MILLIMETERS
SURFACE FINISH:
TOLERANCES:
LINEAR: +/-0.25
ANGULAR: +/-0.25

Part Number

DO NOT SCALE DRAWING

REVISION A

COMMENTS:
Suits: Dong-I DMT 70T, DMT 100T

TITLE:
**Poly Flex Flexible Coupling
7306-4-95**

DWG NO. 7306-4-95 A Flexible Coupling

A4

PROPRIETARY & CONFIDENTIAL
THE INFORMATION CONTAINED IN THIS DRAWING IS THE SOLE PROPERTY OF
POLY FLEX GROUP PTY LTD. ANY REPRODUCTION IN PART OR AS A WHOLE
WITHOUT THE WRITTEN PERMISSION OF POLY FLEX GROUP PTY LTD IS PROHIBITED.

	NAME	SIGNATURE	DATE
DRAWN	O.Knust		6/06/2013
CHK'D	O.Knust		6/06/2013
APPV'D			
MFG			
Q.A			

MATERIAL:
95A Polyurethane

WEIGHT:

SCALE:1:5

SHEET 1 OF 1