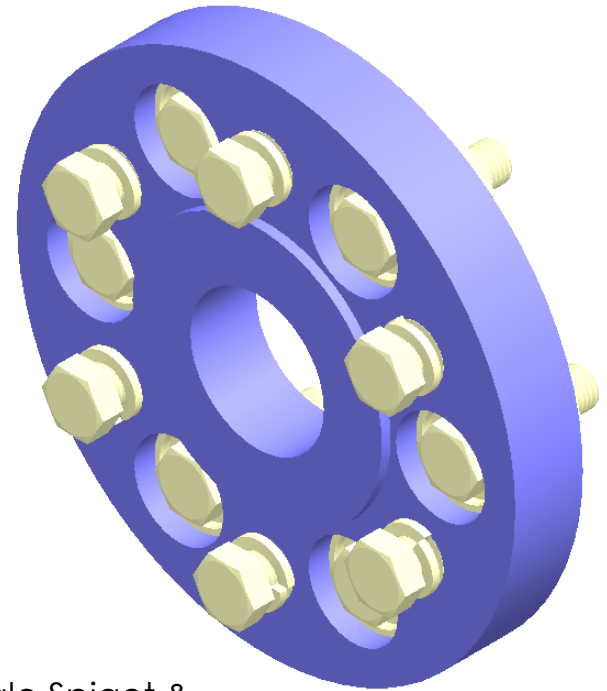
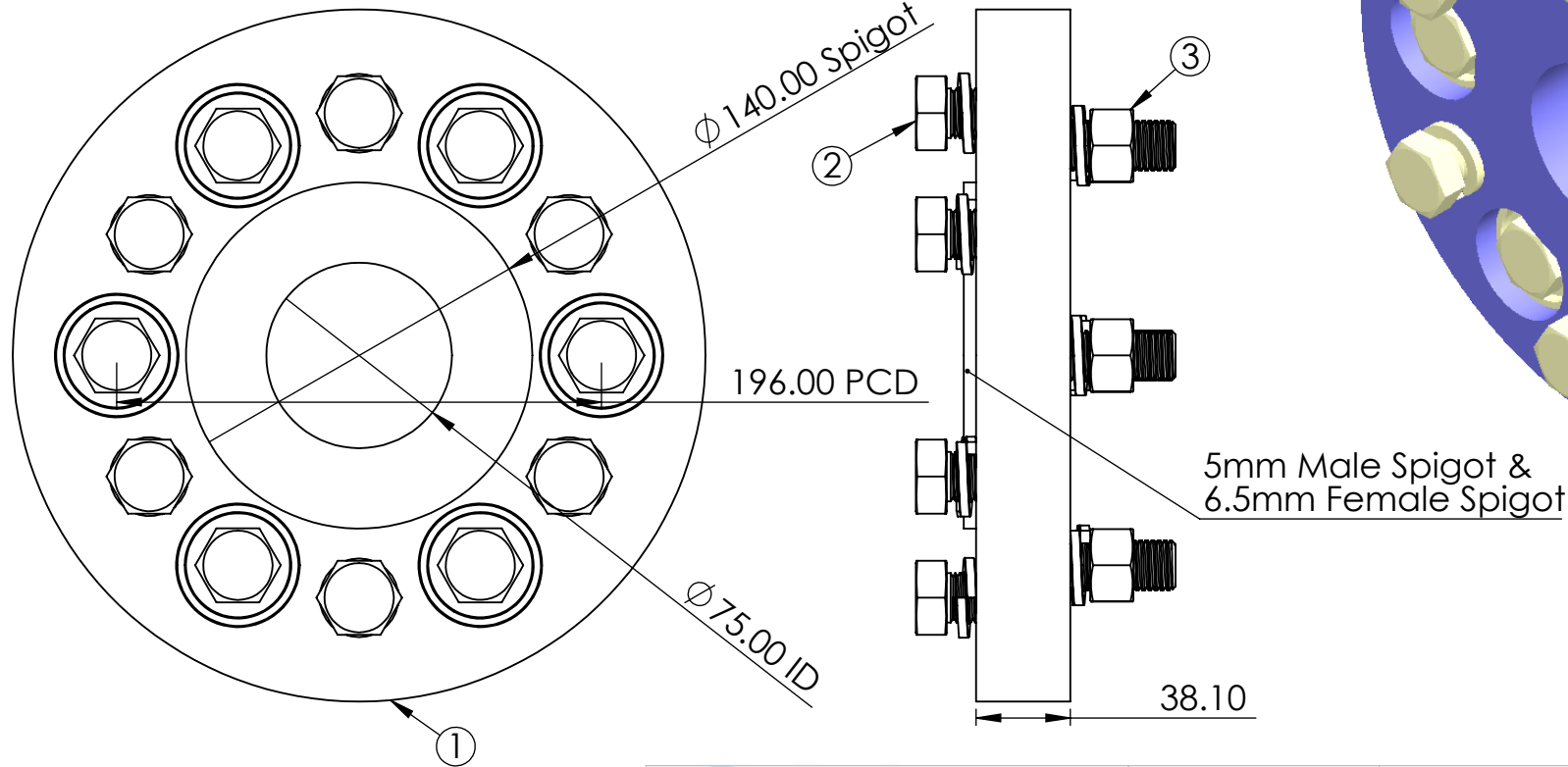


- ① Coupling Disc - ENG Grade polymer alloy (Heat Cured) - 1 off
- ② M20 x 50mm Hex Bolt & S/W - Bolt Grade 8 HT - 6 off
- ③ M20 x 65mm Hex Bolt, Nut & S/W - Bolt Grade 8 HT - 6 off



UNLESS OTHERWISE SPECIFIED:
 DIMENSIONS ARE IN MILLIMETERS
 SURFACE FINISH:
 TOLERANCES:
 LINEAR: +/-0.25
 ANGULAR: +/-0.25

Part Number

| | NAME | SIGNATURE | DATE |
|--------|---------|-----------|------------|
| DRAWN | O.Knust | | 14/10/2019 |
| CHK'D | | | |
| APPV'D | | | |
| MFG | | | |
| Q.A | | | |

MATERIAL:
 95A Urethane

WEIGHT:

| | | |
|--|-----------------------------|----|
| DO NOT SCALE DRAWING | REVISION | A |
| COMMENTS: Suits: Dong-I DMT 135HL | | |
| TITLE: Poly Flex Flexible Coupling 6196-4-95 | | |
| DWG NO. | 6196-4-95 Flexible Coupling | A4 |
| SCALE:1:5 | SHEET 1 OF 1 | |

PROPRIETARY & CONFIDENTIAL
 THE INFORMATION CONTAINED IN THIS DRAWING IS THE SOLE PROPERTY OF
 POLY FLEX GROUP PTY LTD. ANY REPRODUCTION IN PART OR AS A WHOLE
 WITHOUT THE WRITTEN PERMISSION OF POLY FLEX GROUP PTY LTD IS PROHIBITED.