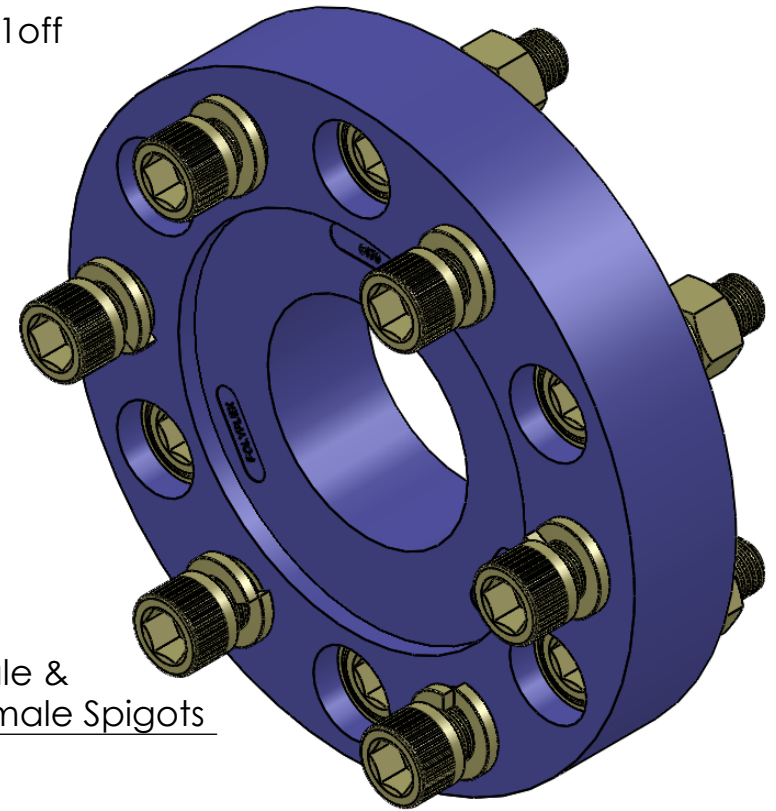
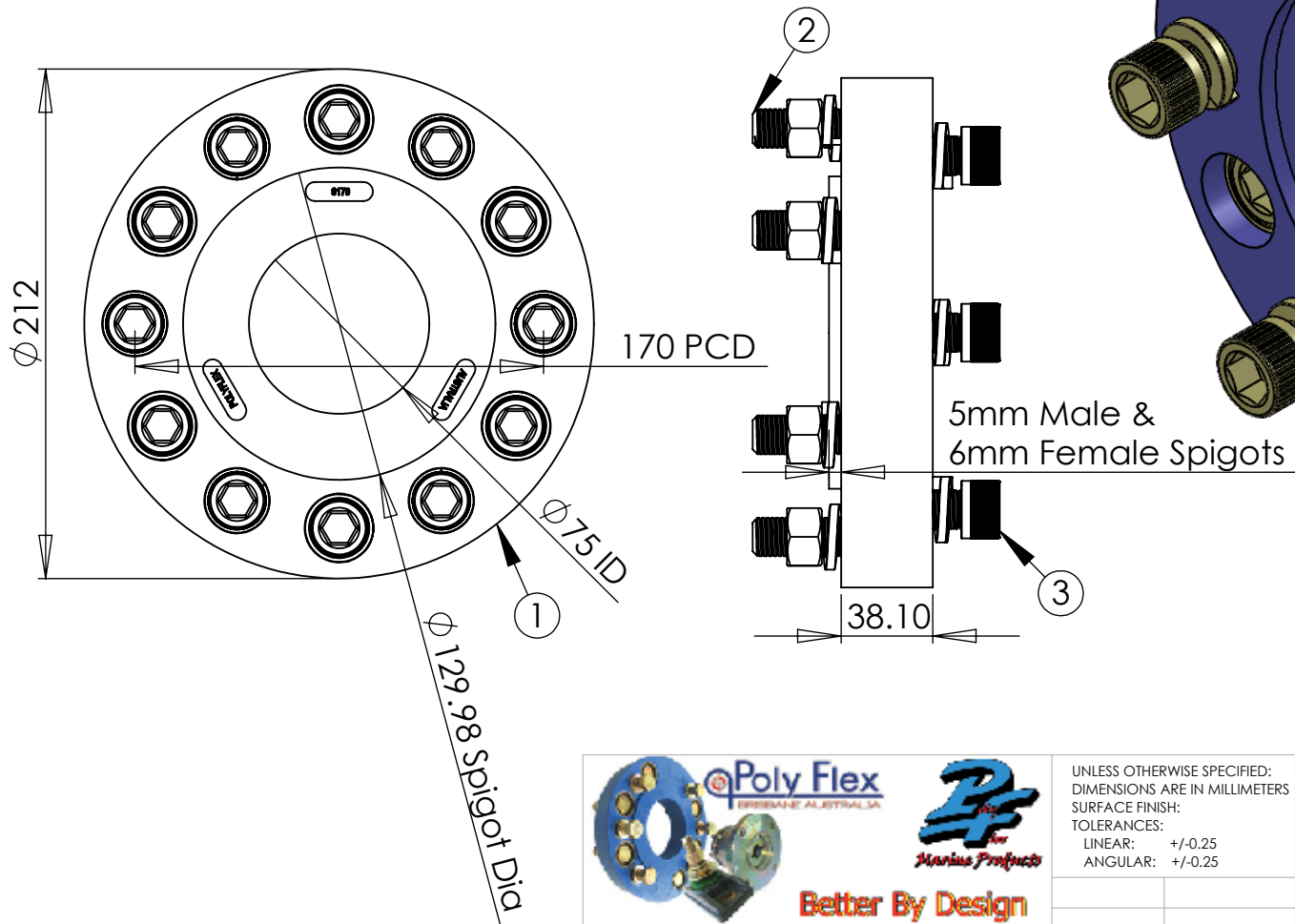


- ① Coupling Disc -ENG Grade Polymer Alloy (Heat Cured) - 1off
- ② M16 x 50mm SHCS, Nut & S/W - Bolt Grade 10 HT - 6off
- ③ M16 x 45mm SHCS & S/W - Bolt Grade 10 HT - 6off



UNLESS OTHERWISE SPECIFIED:
 DIMENSIONS ARE IN MILLIMETERS
 SURFACE FINISH:
 TOLERANCES:
 LINEAR: +/-0.25
 ANGULAR: +/-0.25

DO NOT SCALE DRAWING		REVISION	A
COMMENTS:		Suits: Dong-I DMT 140 H	
TITLE:		Poly Flex Flexible Coupling 6170-4-95	
DWG NO.	6170-4-95 Flexible Coupling	A4	
SCALE:1:5	SHEET 1 OF 1		

	NAME	SIGNATURE	DATE
DRAWN	O.Knust		30/03/2009
CHK'D	O.Knust		30/03/2009
APPV'D			
MFG			
Q.A			

MATERIAL:
 95 Duro Poly Urethane

WEIGHT:

PROPRIETARY & CONFIDENTIAL
 THE INFORMATION CONTAINED IN THIS DRAWING IS THE SOLE PROPERTY OF
 POLY FLEX GROUP PTY LTD. ANY REPRODUCTION IN PART OR AS A WHOLE
 WITHOUT THE WRITTEN PERMISSION OF POLY FLEX GROUP PTY LTD IS PROHIBITED.