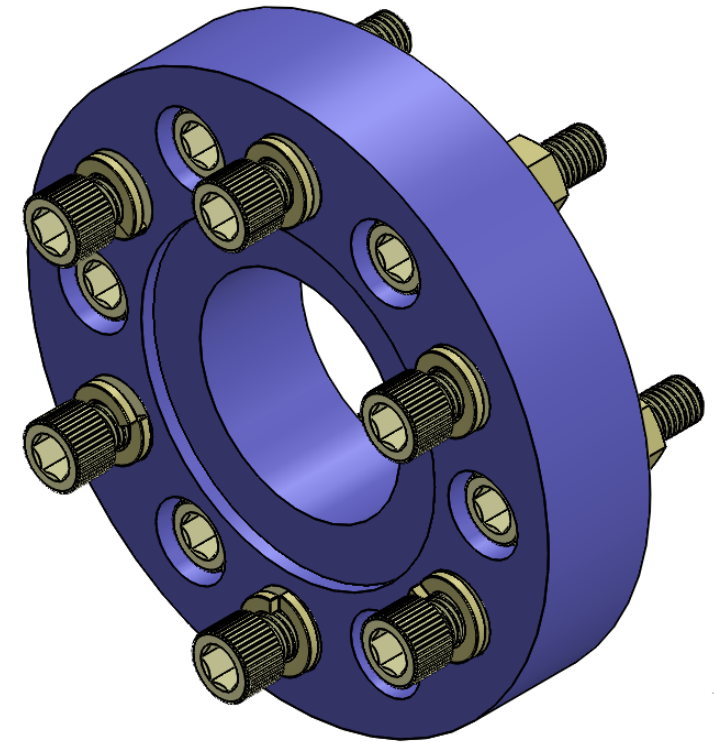
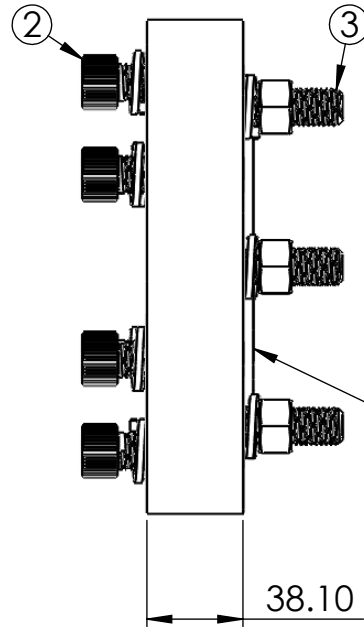
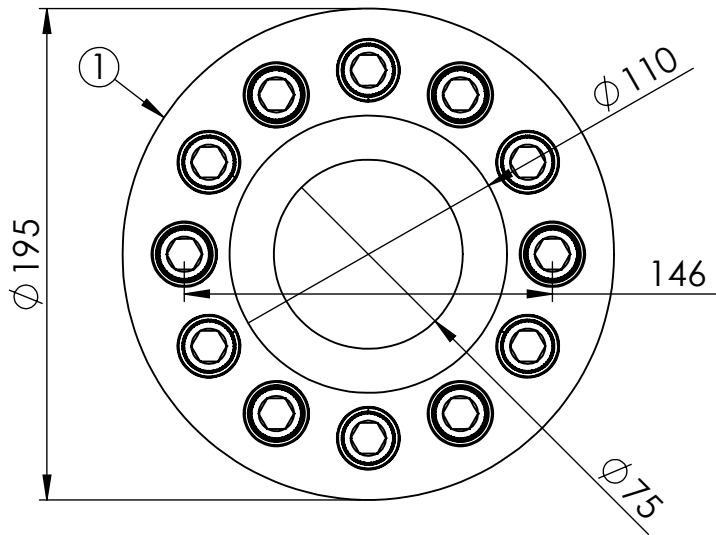


- ① Coupling Disc - ENG Grade Polymer Alloy (Heat Cured) - 1 off
- ② M14 x 45mm SHCS & S/W - Bolt Grade 10 HT - 6 off
- ③ M14 x 65mm SHCS, Nut & S/W - Bolt Grade 10 HT - 6 off



4mm Male Spigot &
4.5mm Female Spigot



UNLESS OTHERWISE SPECIFIED:
DIMENSIONS ARE IN MILLIMETERS
SURFACE FINISH:
TOLERANCES:
LINEAR: +/-0.25
ANGULAR: +/-0.25

Part Number

DO NOT SCALE DRAWING

REVISION A

COMMENTS:
Suits: YANMAR YX-71-4

TITLE:

6146-4-95 Flexible Coupling
95A Duro Blue

DWG NO. 6146-4-95 Flexible Coupling

A4

WEIGHT:

SCALE 1:3

SHEET 1 OF 1

PROPRIETARY & CONFIDENTIAL

THE INFORMATION CONTAINED IN THIS DRAWING IS THE SOLE PROPERTY OF POLY FLEX GROUP PTY LTD. ANY REPRODUCTION IN PART OR AS A WHOLE WITHOUT THE WRITTEN PERMISSION OF POLY FLEX GROUP PTY LTD IS PROHIBITED.

©Poly Flex Group Pty Ltd

	NAME	SIGNATURE	DATE
DRAWN	O.Knust		14/04/2014
CHK'D	O.Knust		14/04/2014
APPV'D			
MFG			
Q.A			

MATERIAL:
95A Polymer Alloy