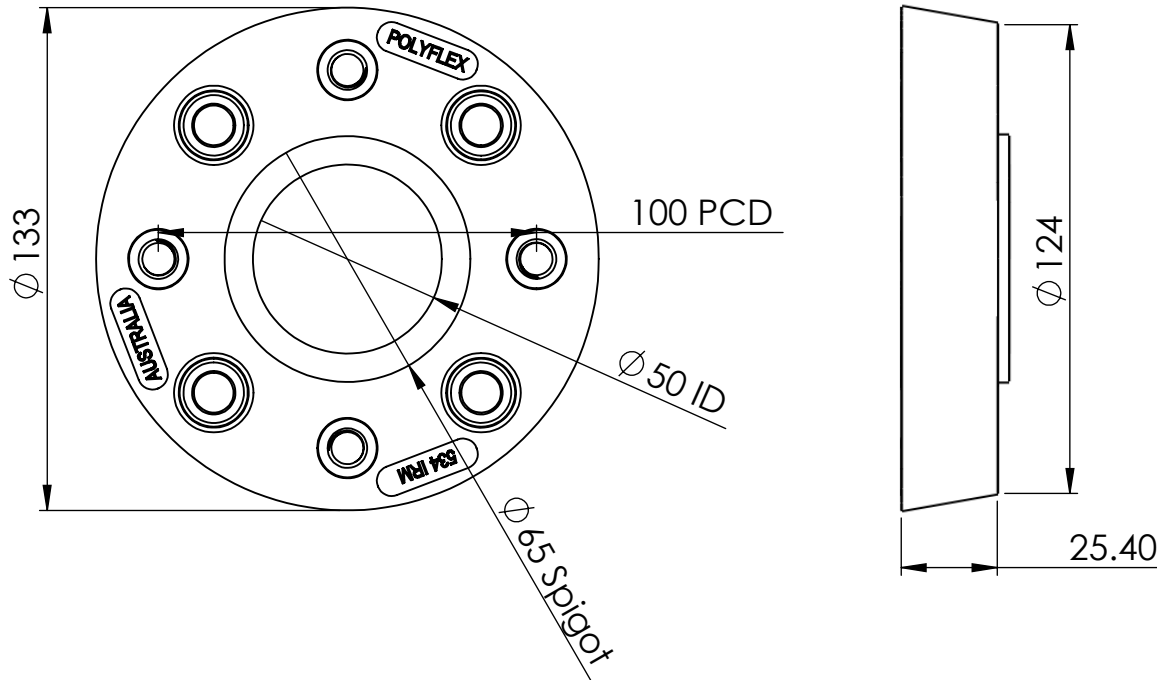
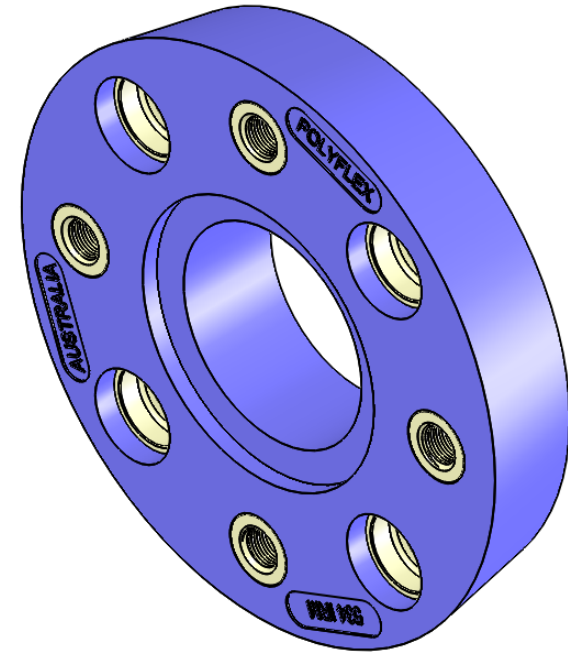


- ① Coupling Disc - ENG Grade polymer alloy (Heat Cured) - 1 off
- ② M10 x 30mm Hex Bolt & S/W - Bolt Grade 8.8 HT - 4 off
- ③ M10x40mm SHCS, Nut & S/W - Bolt Grade 10 HT - 4 off



UNLESS OTHERWISE SPECIFIED:
 DIMENSIONS ARE IN MILLIMETERS
 SURFACE FINISH:
 TOLERANCES:
 LINEAR: +/-0.25
 ANGULAR: +/-0.25

DO NOT SCALE DRAWING

REVISION A

COMMENTS: Suits YANMAR Gearbox with Oil Pump

Part Number

TITLE:

534-4-95 (Blue)
Flexible Coupling

DWG NO. 534-4-95 IRM Flexible Coupling

A4

PROPRIETARY & CONFIDENTIAL
 THE INFORMATION CONTAINED IN THIS DRAWING IS THE SOLE PROPERTY OF
 POLY FLEX GROUP PTY LTD. ANY REPRODUCTION IN PART OR AS A WHOLE
 WITHOUT THE WRITTEN PERMISSION OF POLY FLEX GROUP PTY LTD IS PROHIBITED.

©Poly Flex Group Pty Ltd

	NAME	SIGNATURE	DATE
DRAWN	O.Knust		23/07/2014
CHK'D	O.Knust		23/07/2014
APPV'D			
MFG			
Q.A			
Stock			

MATERIAL:
95A Polyurethane

WEIGHT:

SCALE 1:3

SHEET 1 OF 1