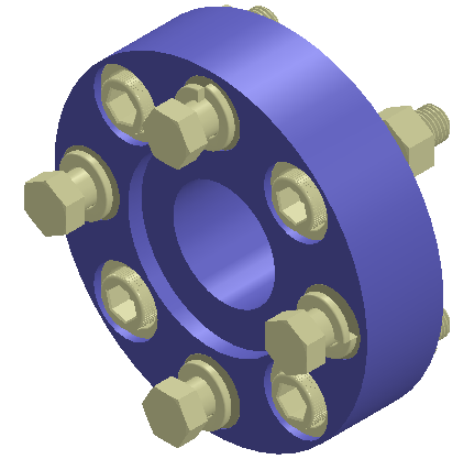
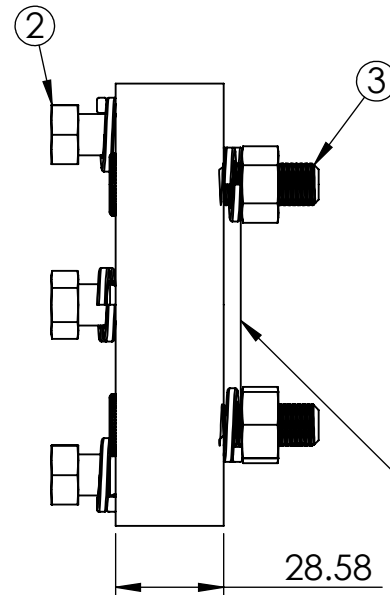
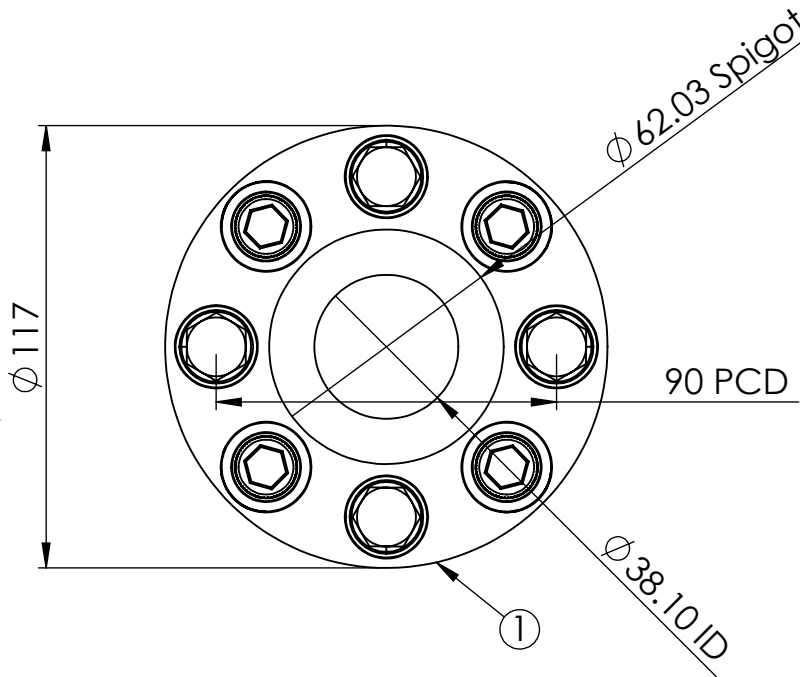


- ① Coupling Disc - ENG Grade Polymer Alloy (Heat Cured) - 1 off
- ② 7/16"UNF x 1 1/2 Hex Bolt & S/W - Bolt Grade 8 - 4 off
- ③ 7/16"UNF x 1 3/4 SHCS, S/W & Nut - Bolt Grade 8 - 4 off



4.5mm Male Spigot &  
5.0mm Female Spigot



UNLESS OTHERWISE SPECIFIED:  
DIMENSIONS ARE IN MILLIMETERS  
SURFACE FINISH:  
TOLERANCES:  
LINEAR: +/-0.25  
ANGULAR: +/-0.25

Part Number

DO NOT SCALE DRAWING

REVISION A

COMMENTS:  
Suits: Dong-I DMT 18A, DMT 25AL

TITLE:  
**490-4-95 Flexible Coupling  
95A Duro Blue**

DWG NO. **490-4-95 Flexible Coupling**

A4

WEIGHT:

SCALE 1:3

SHEET 1 OF 1

**PROPRIETARY & CONFIDENTIAL**

THE INFORMATION CONTAINED IN THIS DRAWING IS THE SOLE PROPERTY OF POLY FLEX GROUP PTY LTD. ANY REPRODUCTION IN PART OR AS A WHOLE WITHOUT THE WRITTEN PERMISSION OF POLY FLEX GROUP PTY LTD IS PROHIBITED.

©Poly Flex Group Pty Ltd

	NAME	SIGNATURE	DATE
DRAWN	O.Knust		2/04/2014
CHK'D	O.Knust		2/04/2014
APPV'D			
MFG			
Q.A			

MATERIAL:  
**95A Polymer Alloy**