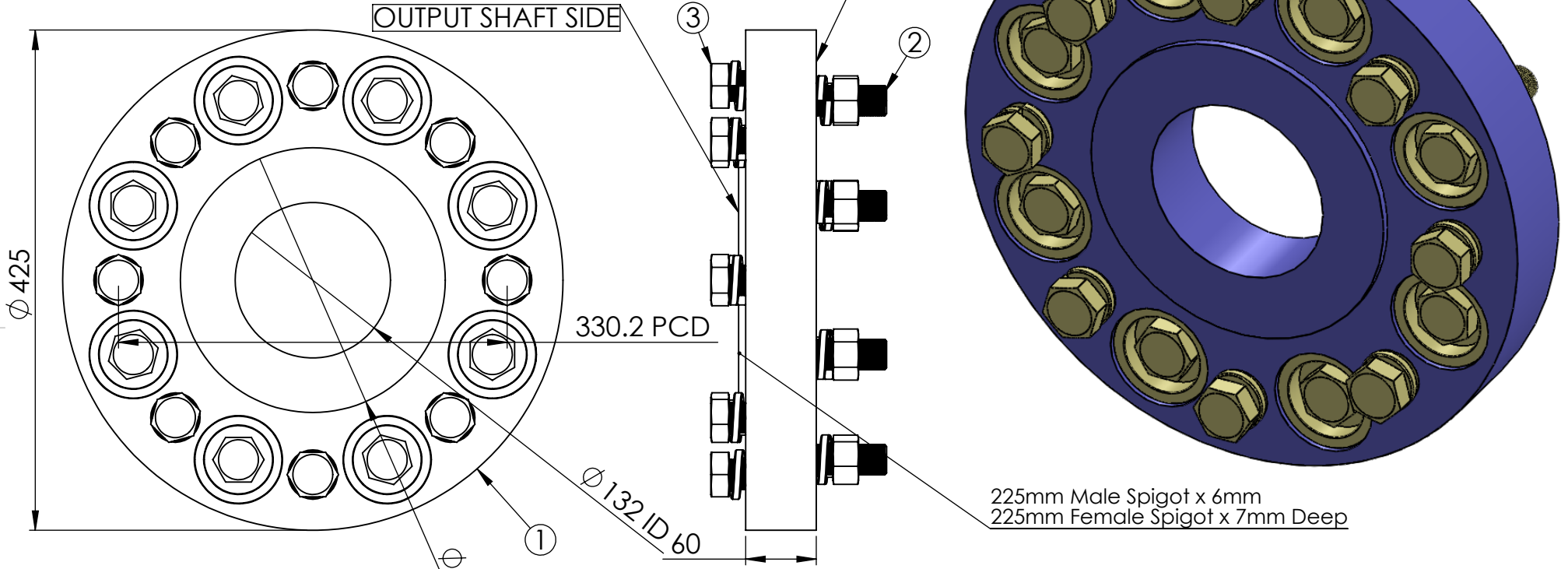


- ① Coupling Disc - ENG Grade Polymer Alloy (Heat Cured) - 1 off
- ② 1" 14TPI x 4" Hex Bolt, Nut & S/W - Bolt Grade 8 HT - 8 off
- ③ 1" 14TPI x 3" Hex Bolt & S/W - Bolt Grade 8 HT - 8 off



PLEASE CHECK THAT ALL MEASUREMENTS A TRUE AND CORRECT AND SIGN

SIGNED: \_\_\_\_\_  
 DATE: \_\_\_\_ / \_\_\_\_ / \_\_\_\_

*PROPRIETARY & CONFIDENTIAL*  
 THE INFORMATION CONTAINED IN THIS DRAWING IS THE SOLE PROPERTY OF POLY FLEX GROUP PTY LTD. ANY REPRODUCTION IN PART OR AS A WHOLE WITHOUT THE WRITTEN PERMISSION OF POLY FLEX GROUP PTY LTD IS PROHIBITED.



	NAME	SIGNATURE	DATE
DRAWN	O.Knust		9/08/2012
CHK'D	J.Cooper		9/08/2012
APPV'D			
MFG			
Q.A			

UNLESS OTHERWISE SPECIFIED:  
 DIMENSIONS ARE IN MILLIMETERS  
 SURFACE FINISH:  
 TOLERANCES:  
 LINEAR: +/-0.25  
 ANGULAR: +/-0.25

Part Number

MATERIAL:  
 95A Duro Urethane

WEIGHT:

DO NOT SCALE DRAWING	REVISION	A
COMMENTS:		
TITLE: <b>Reintjes Gearbox - Poly Flex      3308-4-95 Flexible Coupling</b>		
DWG NO.	3308-4-95 Flexible Coupling	A4
SCALE:1:5	SHEET 1 OF 1	