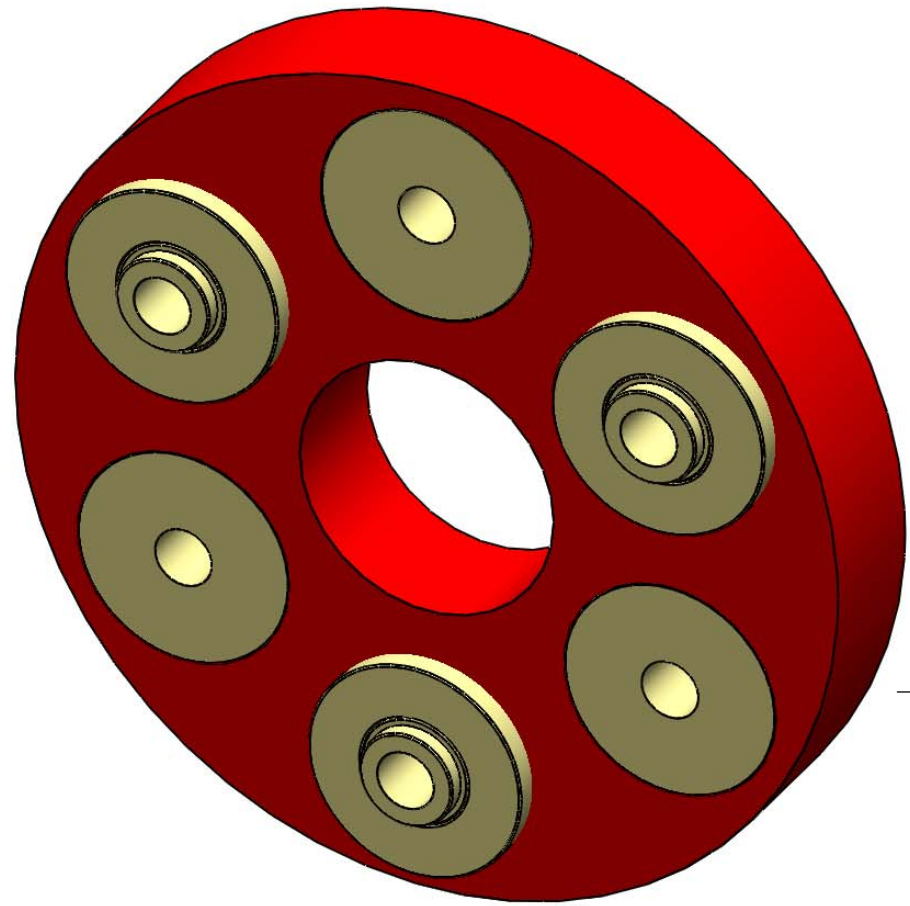
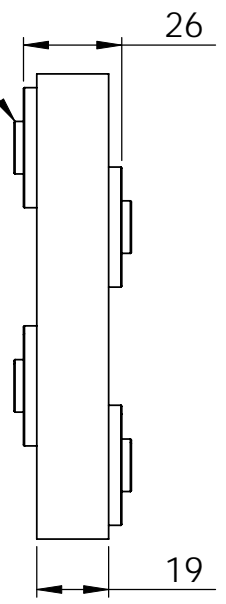
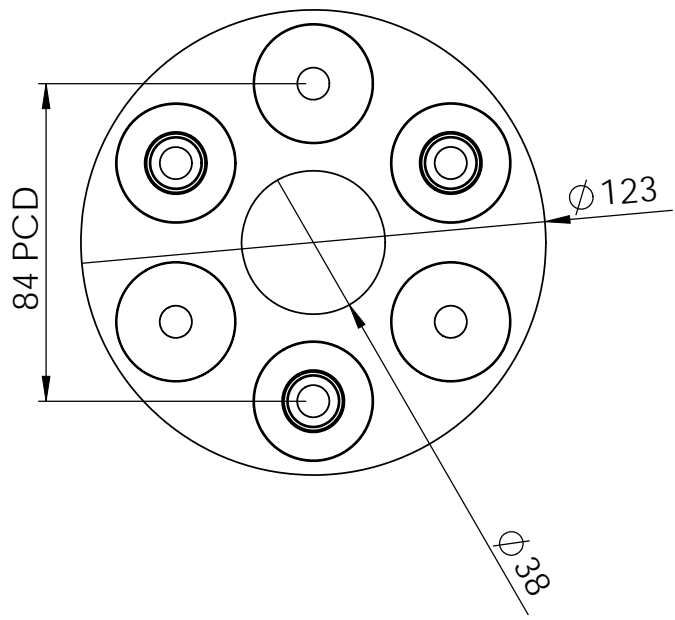


1 2 3 4 5 6

A

A

13.9mm spigots to suit 14mm



B

B

C

C

D



UNLESS OTHERWISE SPECIFIED:
 DIMENSIONS ARE IN MILLIMETERS
 SURFACE FINISH:
 TOLERANCES:
 LINEAR: +/-0.25
 ANGULAR: +/-0.25

DO NOT SCALE DRAWING

REVISION A

COMMENTS:

Part Number

TITLE:

	NAME	SIGNATURE	DATE	
DRAWN	O.Knust		14/06/2011	
CHK'D	O.Knust		14/06/2011	
APPV'D				
MFG				
Q.A				

MATERIAL:

DWG NO. Tarago 306D Flexible Coupling

A4

WEIGHT:

SCALE 1:3

SHEET 1 OF 1

PROPRIETARY & CONFIDENTIAL
 THE INFORMATION CONTAINED IN THIS DRAWING IS THE SOLE PROPERTY OF
 POLY FLEX GROUP PTY LTD. ANY REPRODUCTION IN PART OR AS A WHOLE
 WITHOUT THE WRITTEN PERMISSION OF POLY FLEX GROUP PTY LTD IS PROHIBITED.

1 2 3 4 5 6