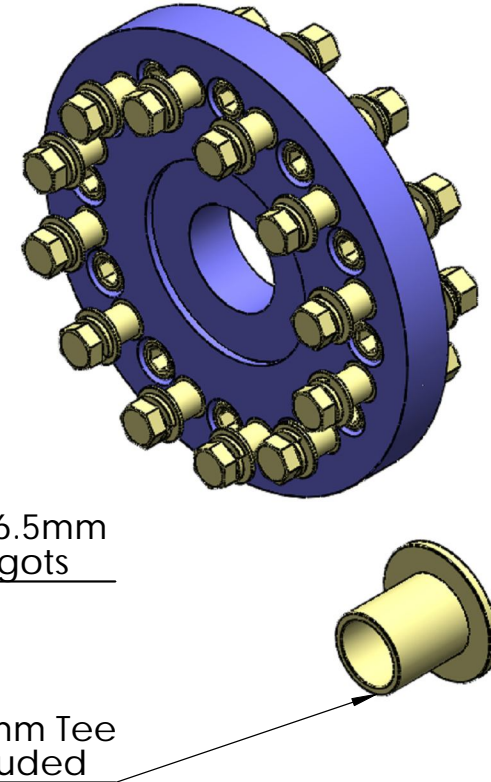
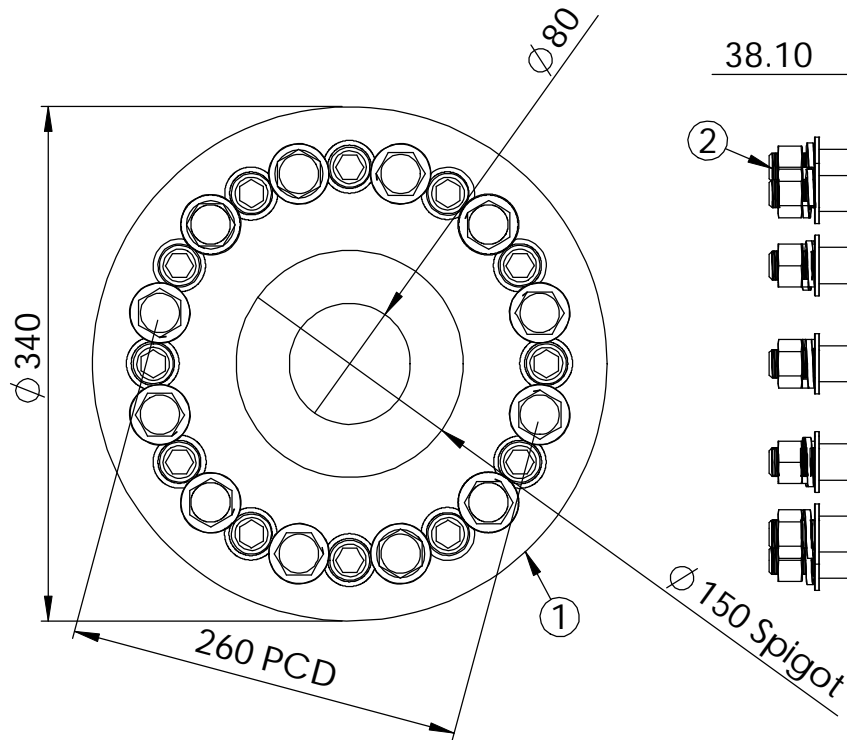


- ① Coupling Disc - ENG Grade polymer alloy (Heat Cured) - 1 off
- ② 3/4"UNF x 3" SHCS, Nut & S/W - Bolt Grade 10 HT - 12 off
- ③ 3/4"UNF x 2 1/4" Hex Bolt - Grade 8 HT - 12 off



5mm Male & 6.5mm Female Spigots

19.6x24x26mm Tee Bush Kit Included



UNLESS OTHERWISE SPECIFIED:
DIMENSIONS ARE IN MILLIMETERS
SURFACE FINISH:
TOLERANCES:
LINEAR: +/-0.25
ANGULAR: +/-0.25

Part Number

DO NOT SCALE DRAWING

REVISION A

COMMENTS:

TITLE:

26012-4-95 Flexible Coupling
(Blue) with bushing kit

DWG NO.

26012-4-95 Flexible Coupling

A4

WEIGHT:

SCALE 1:3

SHEET 1 OF 1

PROPRIETARY & CONFIDENTIAL
THE INFORMATION CONTAINED IN THIS DRAWING IS THE SOLE PROPERTY OF POLY FLEX GROUP PTY LTD. ANY REPRODUCTION IN PART OR AS A WHOLE WITHOUT THE WRITTEN PERMISSION OF POLY FLEX GROUP PTY LTD IS PROHIBITED.

	NAME	SIGNATURE	DATE
DRAWN	O.Knust		30/07/2011
CHK'D	O.Knust		30/07/2011
APP'VD			
MFG			
Q.A			

MATERIAL:
95 A Urethane (Blue)