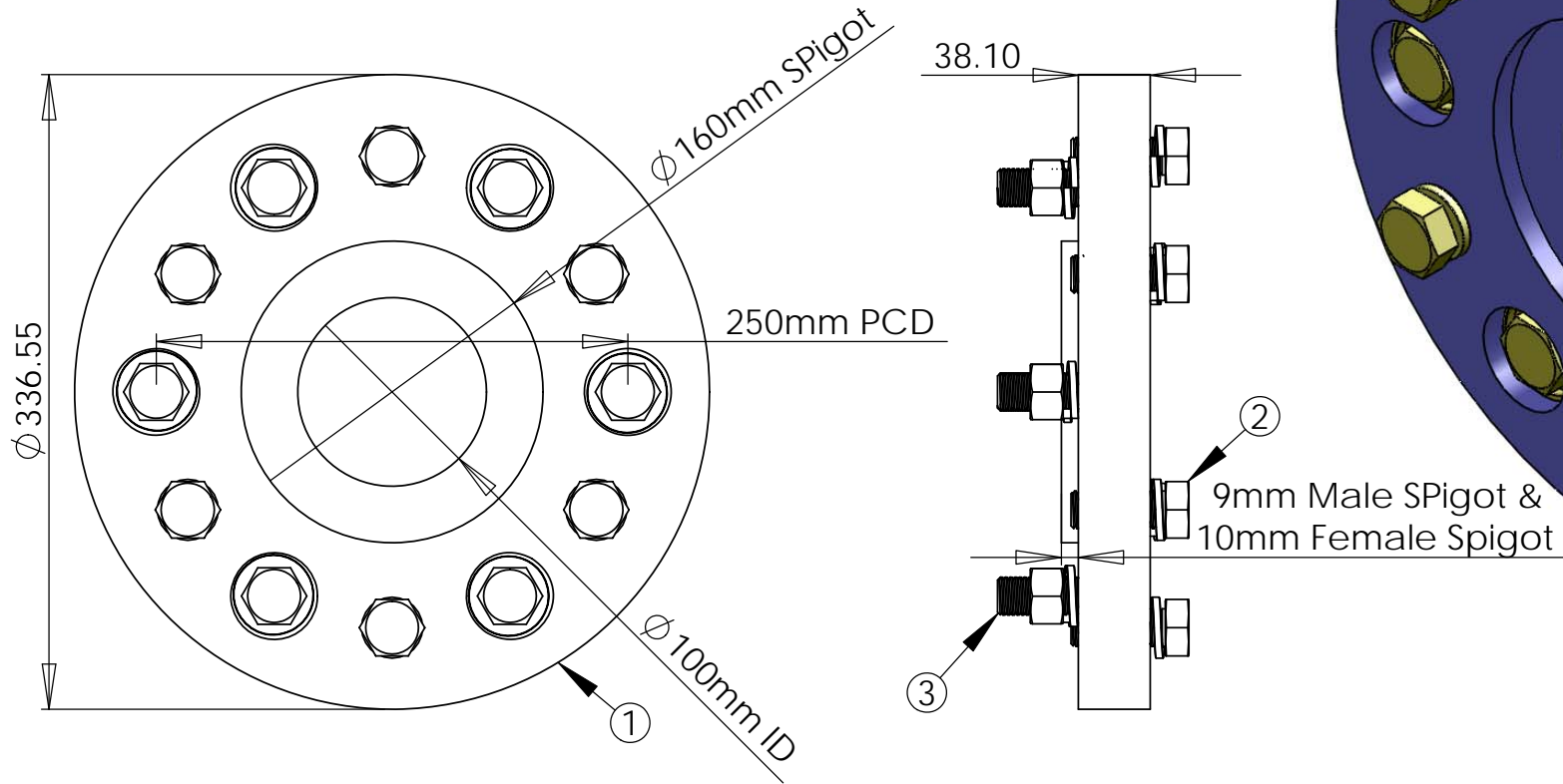


- ① Coupling Disc - ENG Grade polymer alloy (Heat Cured) 1 off
- ② M20 x 50mm Hex Bolt & S/W - Bolt Class 8.8 H/T - 6 off
- ③ M20 x 65mm Hex Bolt, Nut & S/W - Bolt Class 8.8 H/T - 6 off



UNLESS OTHERWISE SPECIFIED:
DIMENSIONS ARE IN MILLIMETERS
SURFACE FINISH:
TOLERANCES:
LINEAR: +/-0.25
ANGULAR: +/-0.25

DO NOT SCALE DRAWING REVISION A

COMMENTS:

TITLE:
**2506-4-95 Flexible Coupling
95 Blue Duro**

	NAME	SIGNATURE	DATE
DRAWN	O.Knust		18/09/2008
CHK'D	O.Knust		18/09/2008
APPV'D			
MFG			
Q.A			

MATERIAL:
95 Duro Poly Urethane

DWG NO. **2506-4-95 Flexible Coupling** A4

PROPRIETARY & CONFIDENTIAL
THE INFORMATION CONTAINED IN THIS DRAWING IS THE SOLE PROPERTY OF POLY FLEX GROUP PTY LTD. ANY REPRODUCTION IN PART OR AS A WHOLE WITHOUT THE WRITTEN PERMISSION OF POLY FLEX GROUP PTY LTD IS PROHIBITED.