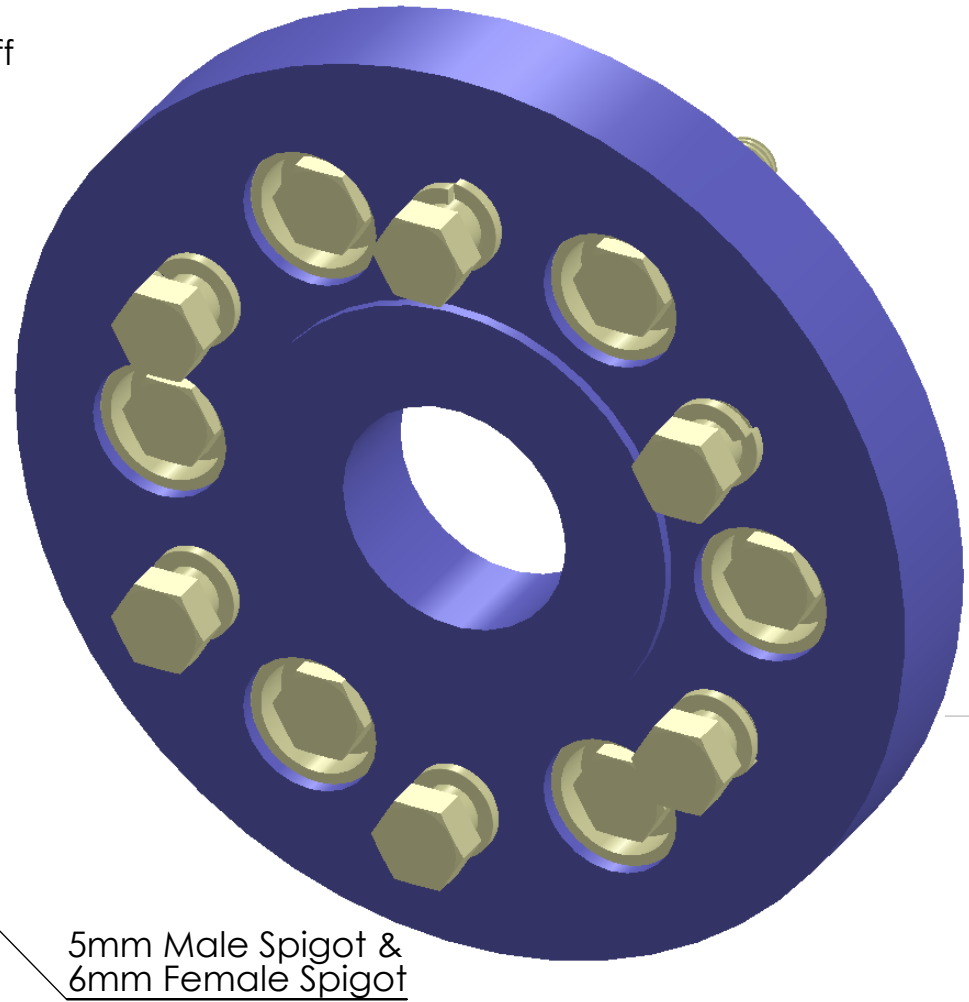
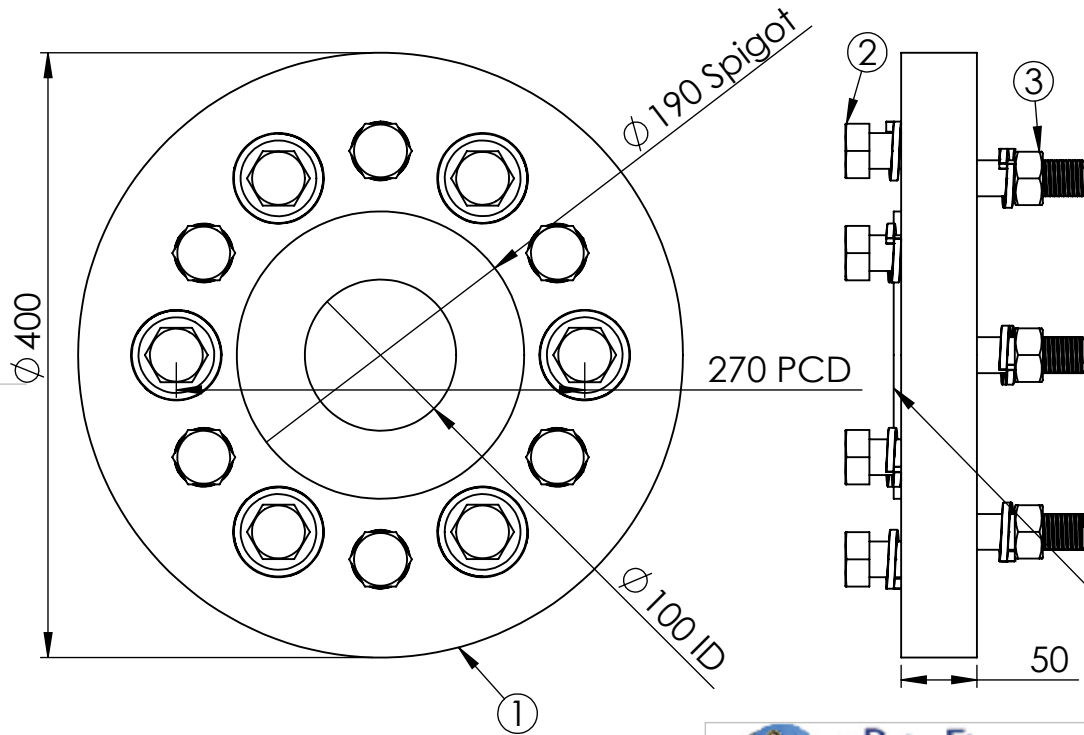


- ① Coupling Disc - ENG Grade polymer alloy (Heat Cured) - 1 off
- ② M24 X 70mm Hex Bolt & S/W - Bolt Grade 8 HT - 6 off
- ③ M24 x 100mm Hex Bolt, Nut & S/W - Bolt Grade 8 HT - 6 off



UNLESS OTHERWISE SPECIFIED:
 DIMENSIONS ARE IN MILLIMETERS
 SURFACE FINISH:
 TOLERANCES:
 LINEAR: ± 0.25
 ANGULAR: ± 0.25

Part Number

	NAME	SIGNATURE	DATE
DRAWN	O.Knust		5/06/2013
CHK'D	O.Knust		5/06/2013
APPV'D			
MFG			
Q.A			

MATERIAL:
 95A Polyurethane

WEIGHT:

DO NOT SCALE DRAWING	REVISION	A
COMMENTS: Suits: Dong-I DMTP 7500, DMT 260HL, DMT 280HL, DMT 200HL		
TITLE: Poly Flex Flexible Coupling 24190-4-95 M24		
DWG NO.	24190-24M-4-95 Flexible Coupling	A4
SCALE:1:5	SHEET 1 OF 1	

PROPRIETARY & CONFIDENTIAL
 THE INFORMATION CONTAINED IN THIS DRAWING IS THE SOLE PROPERTY OF
 POLY FLEX GROUP PTY LTD. ANY REPRODUCTION IN PART OR AS A WHOLE
 WITHOUT THE WRITTEN PERMISSION OF POLY FLEX GROUP PTY LTD IS PROHIBITED.