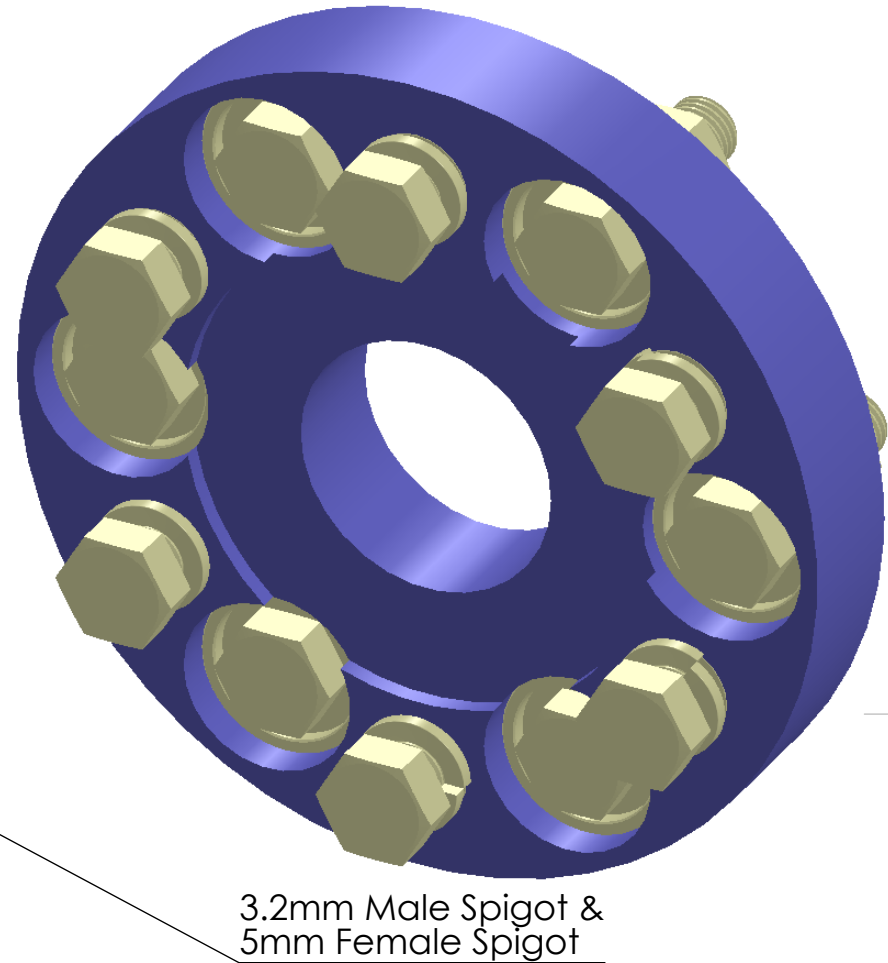
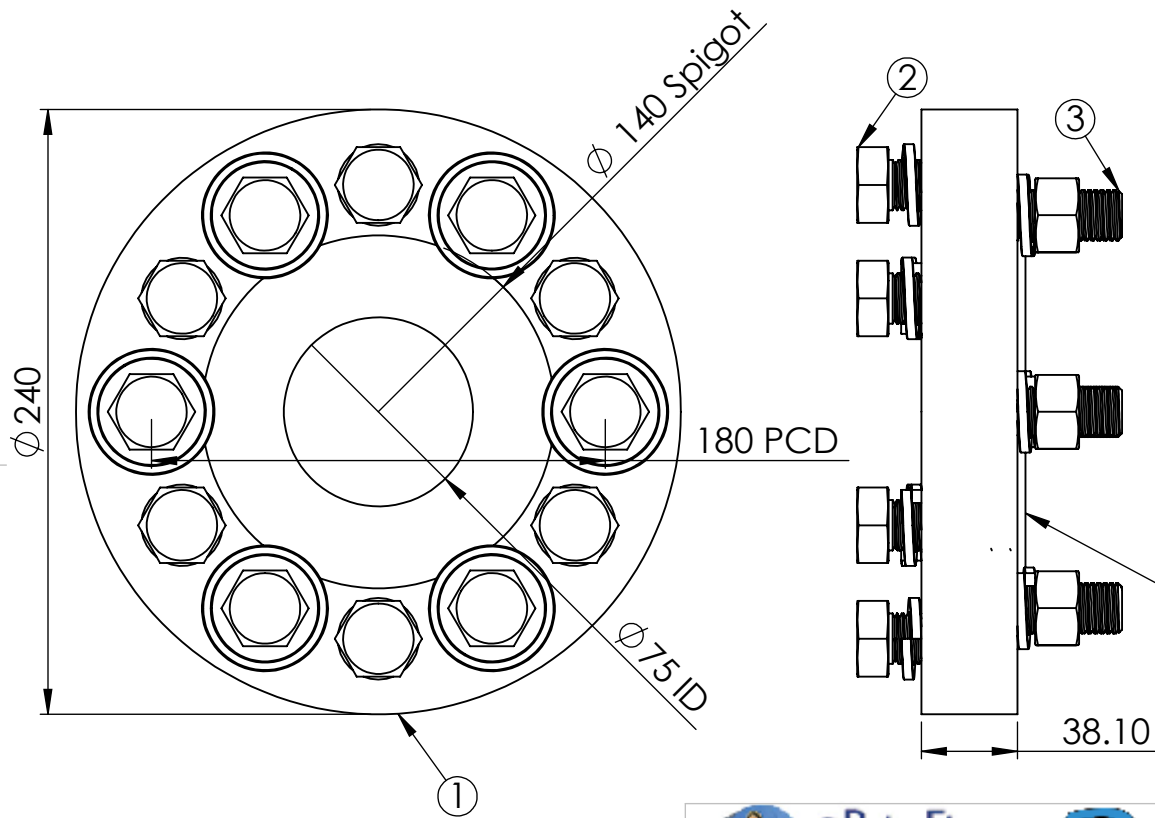


- ① Coupling Disc - ENG Grade polymer alloy (Heat Cured) - 1 off
- ② M20 X 50mm Hex Bolt & S/W - Bolt Grade 8 HT - 6 off
- ③ M20 x 65mm Hex Bolt, Nut & S/W - Bolt Grade 8 HT - 6 off



UNLESS OTHERWISE SPECIFIED:
 DIMENSIONS ARE IN MILLIMETERS
 SURFACE FINISH:
 TOLERANCES:
 LINEAR: +/-0.25
 ANGULAR: +/-0.25

Part Number

	NAME	SIGNATURE	DATE
DRAWN	O.Knust		3/06/2013
CHK'D	O.Knust		3/06/2013
APPV'D			
MFG			
Q.A			

MATERIAL:
 95A Polyurethane

WEIGHT:

DO NOT SCALE DRAWING REVISION A

COMMENTS:
 Suits: Dong-I DMT150 H, DMTP5100

TITLE:
 Poly Flex Flexible Coupling
 2206-4-95

DWG NO. 2206-4-95 Flexible Coupling A4

SCALE:1:5 SHEET 1 OF 1

PROPRIETARY & CONFIDENTIAL
 THE INFORMATION CONTAINED IN THIS DRAWING IS THE SOLE PROPERTY OF
 POLY FLEX GROUP PTY LTD. ANY REPRODUCTION IN PART OR AS A WHOLE
 WITHOUT THE WRITTEN PERMISSION OF POLY FLEX GROUP PTY LTD IS PROHIBITED.