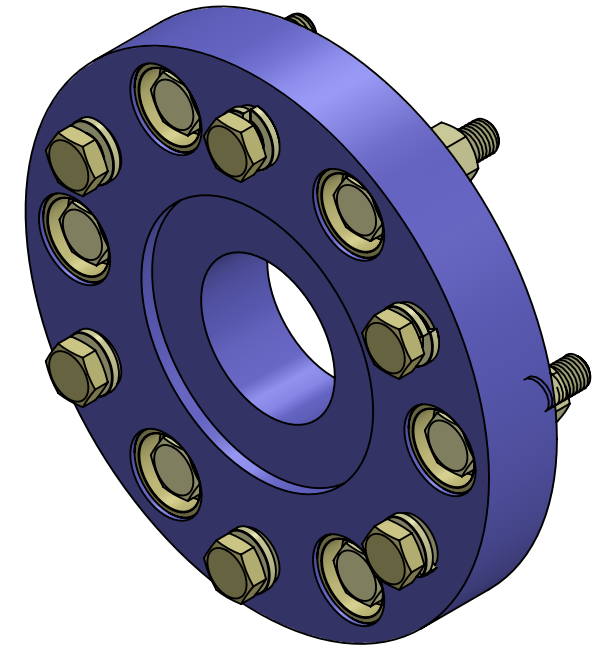
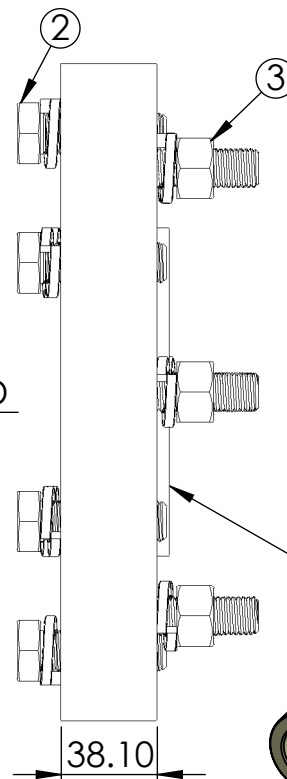
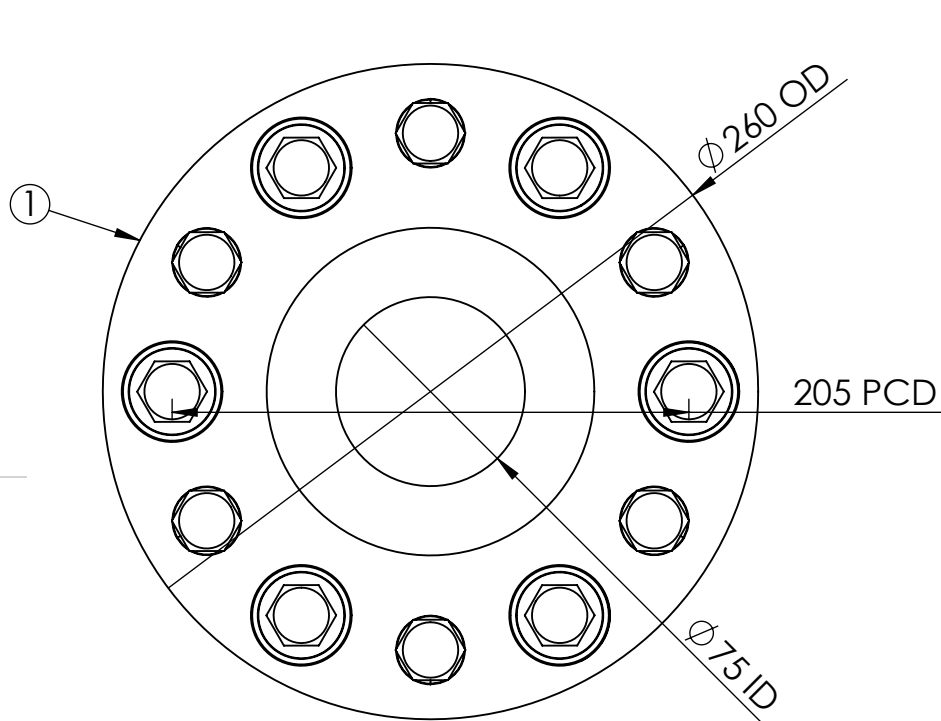


① Coupling Disc - ENG Grade polymer alloy (Heat Cured) - 1 off

② M16 x 50mm Hex Bolt & S/W Grade 8 - 6 off

③ M16 x 65mm Hex Bolt, S/w & Nut Grade 8 - 6 off



130mm x 6mm Female Spigot
130mm x 5mm Male Spigot



T Bush Supplied to suit 24mm Hole x (24)



UNLESS OTHERWISE SPECIFIED:
DIMENSIONS ARE IN MILLIMETERS
SURFACE FINISH:
TOLERANCES:
LINEAR: +/-0.25
ANGULAR: +/-0.25

DO NOT SCALE DRAWING

REVISION A

COMMENTS: Break ALL edges with a 0.25mm chamfer.

TITLE:
**2056-4-95 Coupling
95A - Blue**

DWG NO. 2056-4-95 Flexible Coupling

A4

MATERIAL:
95A Polymer

SCALE 1:3

SHEET 1 OF 1

PROPRIETARY & CONFIDENTIAL
THE INFORMATION CONTAINED IN THIS DRAWING IS THE SOLE PROPERTY OF
POLY FLEX GROUP PTY LTD. ANY REPRODUCTION IN PART OR AS A WHOLE
WITHOUT THE WRITTEN PERMISSION OF POLY FLEX GROUP PTY LTD IS PROHIBITED.

©Poly Flex Group Pty Ltd

	NAME	SIGNATURE	DATE
DRAWN	O.Knust		2/02/2016
CHK'D	O.Knust		2/02/2016
APPV'D			
MFG			
Q.A			
Stock			