

# Poly Flex Data Sheet



**Product:** Steel Half Coupling

**Series:** Parallel Clamp

**Model:** 616 5/8" Parallel Clamp Half Coupling

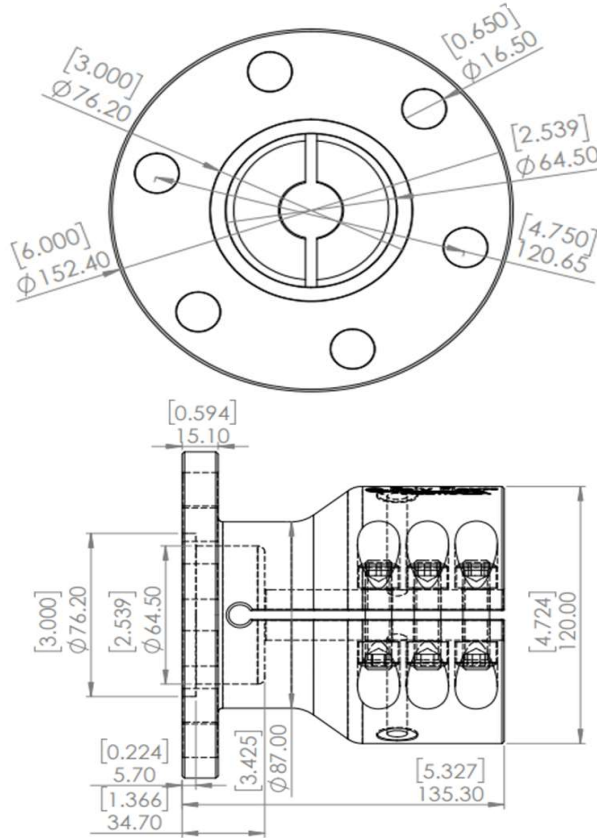
<u>Material Specification</u>	
· CNC Lathe - CS1020 Steel	
· All Metal Parts - SA5 Cobalt Zinc Plated	

<u>Weight Of Coupling</u>	
Kg	lbs
8.6	18.959

<u>Available Shaft Sizes</u>	
Metric	Inches
38.1mm to 76mm	1 1/2" to 3"

<u>Available Keyways</u>	
Metric	Inches
5mm - 3mm Deep	3/16" - 7/64" Deep
6mm - 3.5mm Deep	1/4" - 7/64" Deep
8mm - 4mm Deep	5/16" - 11/64" Deep
10mm - 4mm Deep	3/8" - 3/16" Deep
12mm - 4mm Deep	7/16" - 3/16" Deep
14mm - 5mm Deep	1/2" - 3/16" Deep
16mm - 5mm Deep	9/16" - 13/64" Deep
18mm - 5.5mm Deep	5/8" - 13/64" Deep
	3/4" - 7/32" Deep

<u>Available Grub Screws</u>	
8mm	10mm



<u>Transmission Cross Reference</u>	
Newage Prm / 6" Flange	ZF/Hurth / 6" Flange
PRM 750, PRM 1000 (3:1)	ZF 85, ZF 85A, ZF 85IV, ZF 280, ZF 280A,
<b>Technodrive / 6" Flange</b>	IRM 280V-LD, ZF 280-1, ZF 280-1A, IRM 280PL
TM 130B, TM 260, TM 265, TM 265A	ZF 280IV, ZF 285A, ZF 285IV, ZF 286IV, ZF 300TS
<b>Twin Disc / 6" Flange</b>	ZF 300-1TS, ZF 300ATS, ZF 300-1ATS, ZF 300VTS
MG 506, MG 506-1, MG 506-1A, MG 506 SC,	IRM 301A-2, ZF 301A, IRM 301PL-2, ZF 301C,
MG 507, MG 507 A-1, MG 507-2, MG 507 A-2,	IRM 300VTS, ZF 300-1VTS, ZF 110ATS
MG 5010 DC, MG 5050 V, MG 5061, MG 5061 SC,	
MG 5061 V, MG 5062 V	
<b>Yanmar/Kansaki / 6" Flange</b>	
KMH 60 V	

<u>Bolt Torque Settings</u>	
lb-ft	N-m
109	148

The following data is supplied as a guide only.  
Specifications are subject to change without notice.

Date: 15/06/2023  
Copyright © 2022 Poly Flex Group Pty Ltd.  
26 - 28 Tubbs Street Clontarf, Qld. 4019. Australia  
07 3284 2799 : Int Code +61  
info@polyflex.com.au  
www.polyflex.com.au



MARINE . MINING . DEFENCE . INDUSTRIAL . COMMERCIAL . AGRICULTURAL . AUTOMOTIVE  
Australian Made Quality & Performance that is Second to None

