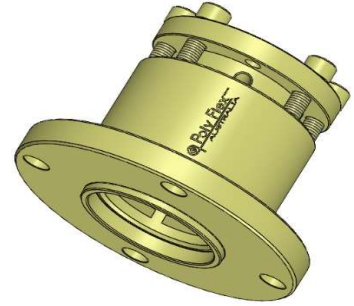


Poly Flex Data Sheet

Product: Steel Half Coupling

Series: Taper Lock

Model: 524 Taper Lock Half Coupling

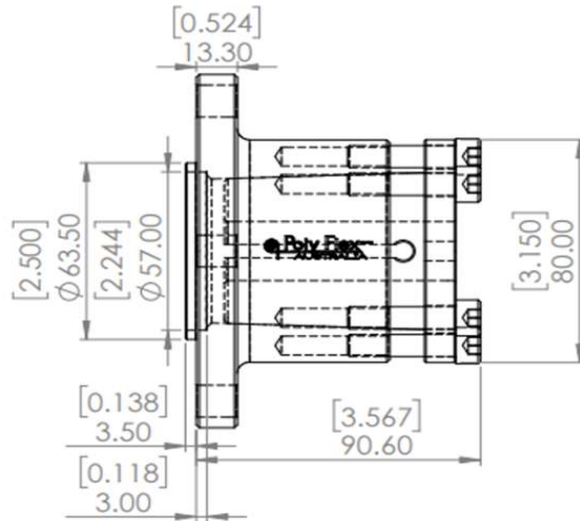
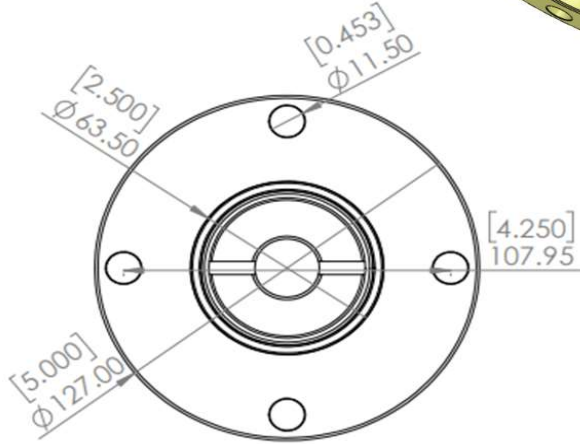


| <u>Material Specification</u> | |
|--|--|
| · CNC Lathe - CS1020 Steel | |
| · All Metal Parts - SA5 Cobalt Zinc Plated | |

| <u>Weight Of Coupling</u> | |
|---------------------------|-------|
| Kg | lbs |
| 3.3 | 7.275 |

| <u>Available Shaft Sizes</u> | |
|------------------------------|----------------|
| Metric | Inches |
| 22mm to 44.45mm | 7/8" to 1 3/4" |

| <u>Transmission Cross Reference</u> | |
|---|--|
| Borg Warner / 5" Flange | |
| BW 71C, BW 72C, BW 1000, VELVET DRIVE 5000A | |
| Newage Prm / 5" Flange | |
| PRM 101, PRM 140, PRM 160, PRM 260, PRM 602 | |
| Technodrive / 5" Flange | |
| TMC 93, TMC 93A, TMC 170, TMC 170A, TMC 260 TMC 345, TMC 345A, TMC 485A, TMC 545A TM 880A | |
| TMP | |
| 1200 | |
| Twinn Disc / 5" Flange | |
| MG 5005 A, MG 5010 A, MG 5011 A, MG 5011 SC, MG 5012 SC, MG 5015 A MG 5020 SC, MG 5055 A | |
| Volvo / 5" Flange | |
| MS, MS 3, MS 4, MS 4 A, MS 5, HS 25 A HS 45 A, HS 63 A | |
| Yanmar / Kansaki / 5" Flange | |
| KMH 40, KMH 50 A, KMH 50 V | |
| Yanmar / Kansaki / 5 1/2" Flange | |
| KM 5, KM 5 A, LH SERIES | |
| ZF / Hurth / 5" Flange | |
| HBW 360, HBW 360A, HBW 400, HBW 450, HSW 450H2, ZF 45-1, HSW 450A2, ZF 45A, HSW 450D, ZF 45C, ZF 50A2, ZF 50A3 HSW 600 HSW 630, HSW 630H1, ZF 63, HSW 630A1, ZF 63A, HSW 630D, ZF 63C, ZF 63 IV, HSW 630V, ZF 88C, ZF 90TS, ZF 90ATS, ZF 110TS, ZF901VTS | |



| <u>Bolt Torque Settings</u> | |
|-----------------------------|-----|
| lb-ft | N-m |
| 28 | 39 |

The following data is supplied as a guide only. Specifications are subject to change without notice.

Date: 14/06/23

Copyright © 2022 Poly Flex Group Pty Ltd.



26 - 28 Tubbs Street Clontarf, Qld. 4019. Australia
07 3284 2799 : Int Code +61
info@polyflex.com.au
www.polyflex.com.au



MARINE . MINING . DEFENCE . INDUSTRIAL . COMMERCIAL . AGRICULTURAL . AUTOMOTIVE
Australian Made Quality & Performance that is Second to None