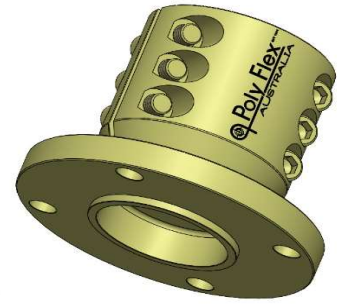


Poly Flex Data Sheet

Product: Steel Half Coupling

Series: Parallel Clamp

Model: 524 Parallel Clamp Half Coupling



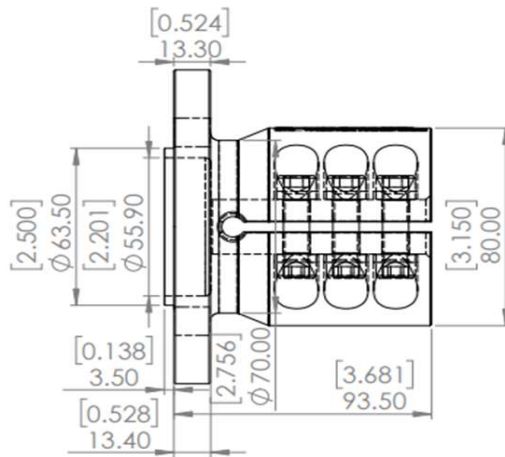
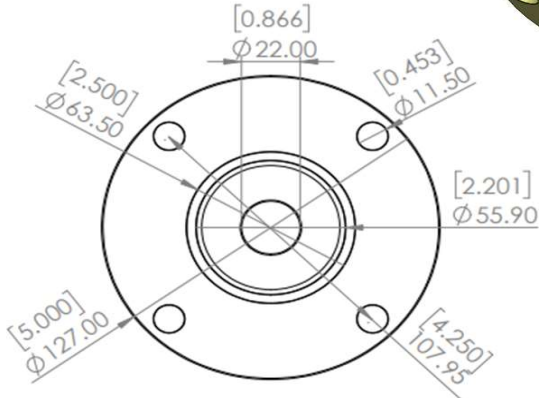
<u>Material Specification</u>	
· CNC Lathe - CS1020 Steel	
· All Metal Parts - SA5 Cobalt Zinc Plated	

<u>Weight Of Coupling</u>	
Kg	lbs
3.5	7.716

<u>Available Shaft Sizes</u>	
Metric	Inches
22mm to 50mm	7/8" to 2"

<u>Available Keyways</u>	
Metric	Inches
5mm - 3mm Deep	3/16" - 7/64" Deep
6mm - 3.5mm Deep	1/4" - 7/64" Deep
8mm - 4mm Deep	5/16" - 11/64" Deep
10mm - 4mm Deep	3/8" - 3/16" Deep
12mm - 4mm Deep	7/16" - 3/16" Deep
14mm - 5mm Deep	1/2" - 3/16" Deep
16mm - 5mm Deep	9/16" - 13/64" Deep
18mm - 5.5mm Deep	5/8" - 13/64" Deep
	3/4" - 7/32" Deep

<u>Available Grub Screws</u>	
Metric	Inches
8mm	10mm



<u>Transmission Cross Reference</u>	
Borg Warner / 5" Flange	Volvo / 5" Flange
BW 71C, BW 72C, BW 1000, VELVET DRIVE 5000A	MS, MS 3, MS 4 A, MS 5, HS 25 A, HS 45 A
Newage Prm / 5" Flange	Yanmar/Kansaki / 5" Flange
PRM 101, PRM 140, PRM 160, PRM 260, PRM 602	KMH 40, KMH 50 A, KMH 50 V
Technodrive / 5" Flange	Yanmar/Kansaki / 5 1/2" Flange
TMC 93, TMC 93A, TMC 170, TMC 170A, TMC 260 TMC 345, TMC 345A, TMC 485A, TMC 545A, TM 880A	KM 5, KM5 A, LH SERIES
TMP	ZF/Hurth / 5" Flange
1200	HBW 360, HBW 360A, HBW 400, HBW 450, HSW 450H2, ZF 45-1, HSW 450A2, ZF 45A, HSW 450D, ZF 45C, ZF 50A2, ZF 50A3, HSW 600 HSW 630, HSW 630H1, ZF 63, HSW 630A1, ZF 63A HSW 630D, ZF 63C, ZF 63IV, HSW 630V, ZF 88C, ZF 90TS, ZF 90ATS, ZF 110TS, ZF901VTS
Twin Disc / 5" Flange	
MG 5005 A, MG 5010 A, MG 5011 A, MG 5011 SC MG 5012 SC, MG 5015 A, MG 5020 SC, MG 5055 A	

<u>Bolt Torque Settings</u>	
lb-ft	N-m
70	95

The following data is supplied as a guide only.
Specifications are subject to change without notice.

Date: 15/06/2023
Copyright © 2022 Poly Flex Group Pty Ltd.
26 - 28 Tubbs Street Clontarf, Qld. 4019. Australia
07 3284 2799 : Int Code +61
info@polyflex.com.au
www.polyflex.com.au



MARINE . MINING . DEFENCE . INDUSTRIAL . COMMERCIAL . AGRICULTURAL . AUTOMOTIVE
Australian Made Quality & Performance that is Second to None

