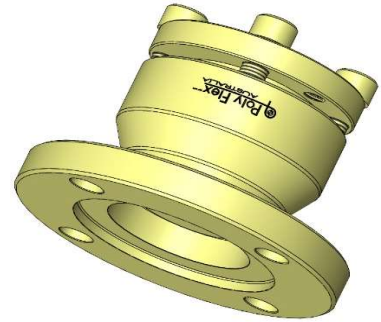


# Poly Flex Data Sheet

**Product:** Steel Half Coupling

**Series:** Taper Lock

**Model:** 464 Taper Lock Half Coupling



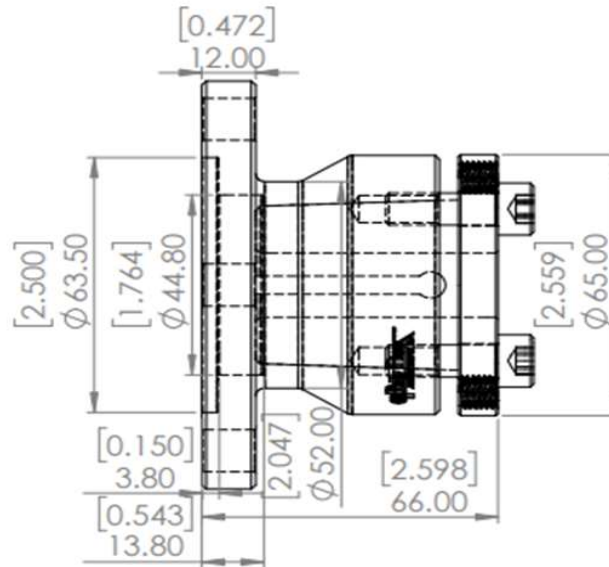
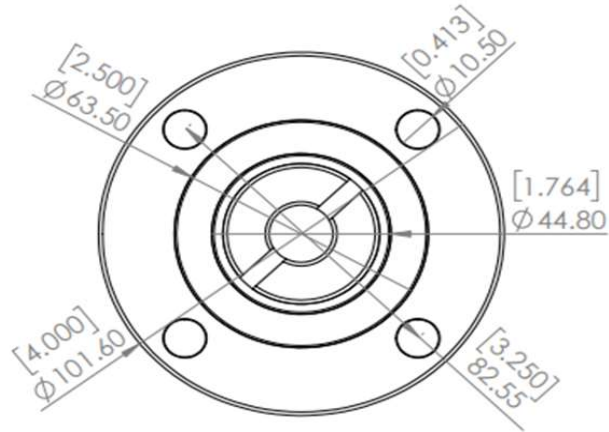
<u>Material Specification</u>	
· CNC Lathe - CS1020 Steel	
· All Metal Parts - SA5 Cobalt Zinc Plated	

<u>Weight Of Coupling</u>	
Kg	lbs
1.5	3.306

<u>Available Shaft Sizes</u>	
Metric	Inches
16mm to 31.75mm	5/8" to 1 1/4"

<u>Transmission Cross Reference</u>	
Volvo / 4" Flange	
MD 10 A, MD 38, MD 7 A, MD 11 C, 2000 SERIES	
MS 2, MS 10, MS 15, MS 25, RB	

<u>Bolt Torque Settings</u>	
lb-ft	N-m
28	39



The following data is supplied as a guide only.  
Specifications are subject to change without notice.

Date: 14/06/23

Copyright © 2022 Poly Flex Group Pty Ltd.



26 - 28 Tubbs Street Clontarf, Qld. 4019. Australia  
07 3284 2799 : Int Code +61  
info@polyflex.com.au  
www.polyflex.com.au



MARINE . MINING . DEFENCE . INDUSTRIAL . COMMERCIAL . AGRICULTURAL . AUTOMOTIVE  
Australian Made Quality & Performance that is Second to None