

Poly Flex Data Sheet

Product: Steel Half Coupling

Series: Taper Lock

Model: 434 Taper Lock Half Coupling

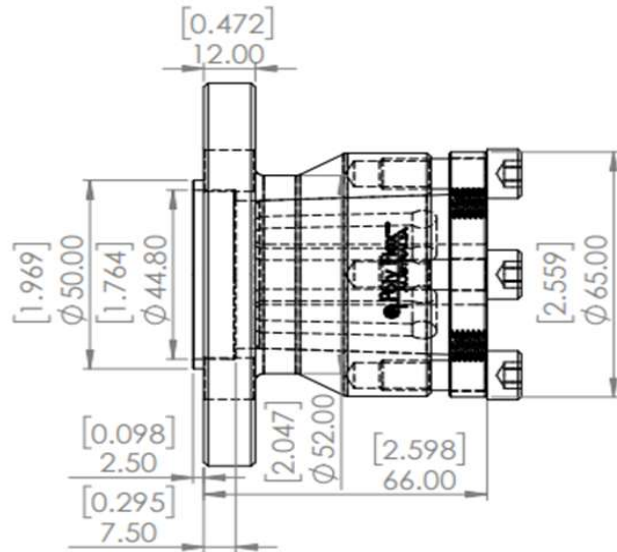
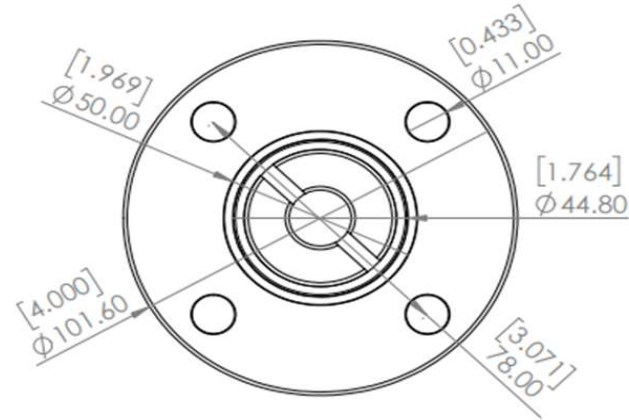


<u>Material Specification</u>	
· CNC Lathe - CS1020 Steel	
· All Metal Parts - SA5 Cobalt Zinc Plated	

<u>Weight Of Coupling</u>	
Kg	lbs
1.6	3.527

<u>Available Shaft Sizes</u>	
Metric	Inches
16mm to 31.75mm	5/8" to 1 1/4"

<u>Transmission Cross Reference</u>	
Borg Warner / 4" Flange	
BW 70C, BW 71C, BW 500, BW 1000, BW 1500	
Newage Prm / 4" Flange	
Delta, PRM 80, PRM 120, PRM 150	
Twin Disc / 4" Flange	
MG 340, MG 360, MG 5010 SC, MG 5010 V	
ZF/Hurth / 4" Flange	
HBW 5, HBW 10, HBW 35, HBW 40, ZF 4M, HBW 50, ZF 5M, HBW 100, ZF 10M, HSW 125H, ZF 12, HBW 125, ZF 12M, HSW 150, ZF 15M, HSW 150A, ZF 15MA, ZF 15MIV, HSW 220, HSW 250, ZF 25M, HSW 250A, ZF 25A, HSW 250H, ZF 25, ZF 25MA, ZF 30M, ZF 45A, HSW 450D, ZF 45C, SAE PCD	
Technodrive / 4" Flange	
TMC 30, TMC 40P, TMC 50, TMC 60, TMC 60E, TMC 80, TM260	



<u>Bolt Torque Settings</u>	
lb-ft	N-m
28	39

The following data is supplied as a guide only. Specifications are subject to change without notice.

Date: 08/06/23

Copyright © 2022 Poly Flex Group Pty Ltd.



26 - 28 Tubbs Street Clontarf, Qld. 4019. Australia
 07 3284 2799 : Int Code +61
 info@polyflex.com.au
 www.polyflex.com.au



MARINE . MINING . DEFENCE . INDUSTRIAL . COMMERCIAL . AGRICULTURAL . AUTOMOTIVE
Australian Made Quality & Performance that is Second to None