

Poly Flex Data Sheet

Product: Steel Half Coupling

Series: Solid Pilot Bored

Model: 434 Pilot Bored Half Coupling



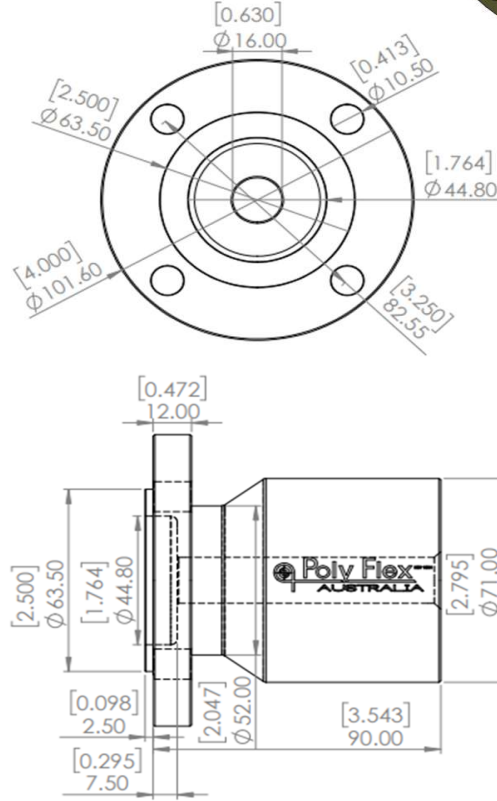
<u>Material Specification</u>	
· CNC Lathe - CS1020 Steel	
· All Metal Parts - SA5 Cobalt Zinc Plated	

<u>Weight Of Coupling</u>	
Kg	lbs
2.6	5.732

<u>Available Shaft Sizes</u>	
Metric	Inches
16mm to 38mm	5/8" to 1 1/2"

<u>Available Keyways</u>	
Metric	Inches
5mm - 3mm Deep	3/16" - 7/64" Deep
6mm - 3.5mm Deep	1/4" - 7/64" Deep
8mm - 4mm Deep	5/16" - 11/64" Deep
10mm - 4mm Deep	3/8" - 3/16" Deep
12mm - 4mm Deep	7/16" - 3/16" Deep
14mm - 5mm Deep	1/2" - 3/16" Deep
16mm - 5mm Deep	9/16" - 13/64" Deep
18mm - 5.5mm Deep	5/8" - 13/64" Deep
	3/4" - 7/32" Deep

<u>Available Grub Screws</u>	
8mm	10mm



<u>Transmission Cross Reference</u>	
Borg Warner / 4" Flange BW 70C, BW 71C, BW 500, BW1000, BW 1500	Technodrive / 4" Flange TMC 30, TMC 40P, TMC 50, TMC 60, TMC 60E, TMC 80, TM260
Newage Prm / 4" Flange Delta, PRM 80, PRM 120, PRM 150	
Twin Disc / 4" Flange MG 340, MG 360, MG 5010 SC, MG 5010 V	
ZF/Hurth / 4" Flange HBW 5, HBW 10, HBW 35, HBW 40, ZF 4M, HBW 50, ZF 5M, HBW 100, ZF 10M HSW 125H, ZF 12, HBW 125, ZF 12M, HSW 150, ZF 15M, HSW 150A, ZF 15MA, ZF 15MIV, HSW 220, HSW 250, ZF 25M, HSW 250A, ZF 25A, HSW 250H, ZF 25, ZF 25MA, ZF 30M, ZF 45A, HSW 450D, ZF 45C, SAE PCD	

The following data is supplied as a guide only. Specifications are subject to change without notice.

Date: 13/06/2023

Copyright © 2022 Poly Flex Group Pty Ltd.



26 - 28 Tubbs Street Clontarf, Qld. 4019. Australia
07 3284 2799 : Int Code +61
info@polyflex.com.au
www.polyflex.com.au



MARINE . MINING . DEFENCE . INDUSTRIAL . COMMERCIAL . AGRICULTURAL . AUTOMOTIVE
Australian Made Quality & Performance that is Second to None