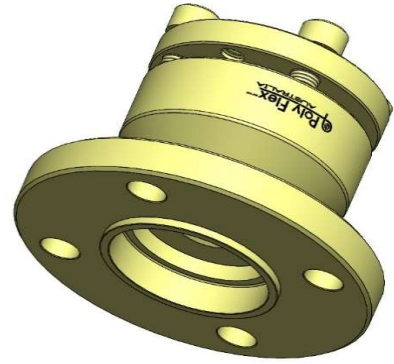


Poly Flex Data Sheet

Product: Steel Half Coupling

Series: Taper Lock

Model: 424 Taper Lock Half Coupling



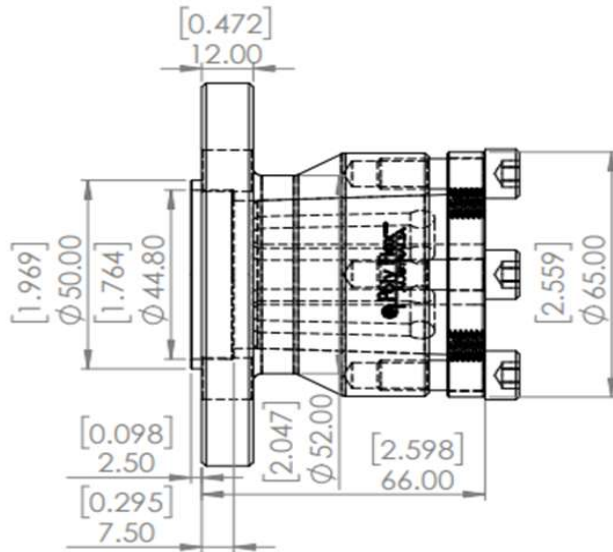
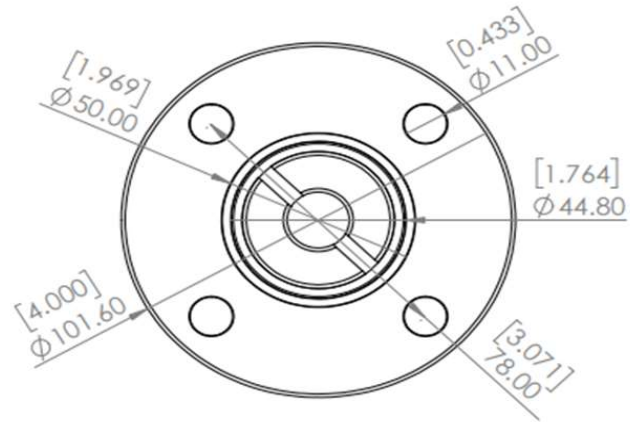
<u>Material Specification</u>	
· CNC Lathe - CS1020 Steel	
· All Metal Parts - SA5 Cobalt Zinc Plated	

<u>Weight Of Coupling</u>	
Kg	lbs
1.6	3.527

<u>Available Shaft Sizes</u>	
Metric	Inches
16mm to 31.75mm	5/8" to 1 1/4"

<u>Transmission Cross Reference</u>	
Yanmar/Kansaki	
YSE 8, YSME 8, YSBE 8, YSE 12, YSMW 12, YSBE 12	
20 M, 20 H, 20 G, JH-2-TF, 30 M, 30 H, 30 G,	
KBW 10, KM 2 P-1, KM 35 A-2, KM 35 P	

<u>Bolt Torque Settings</u>	
lb-ft	N-m
28	39



The following data is supplied as a guide only.
Specifications are subject to change without notice.

Date: 08/06/23

Copyright © 2022 Poly Flex Group Pty Ltd.



26 - 28 Tubbs Street Clontarf, Qld. 4019. Australia
07 3284 2799 : Int Code +61
info@polyflex.com.au
www.polyflex.com.au



MARINE . MINING . DEFENCE . INDUSTRIAL . COMMERCIAL . AGRICULTURAL . AUTOMOTIVE
Australian Made Quality & Performance that is Second to None