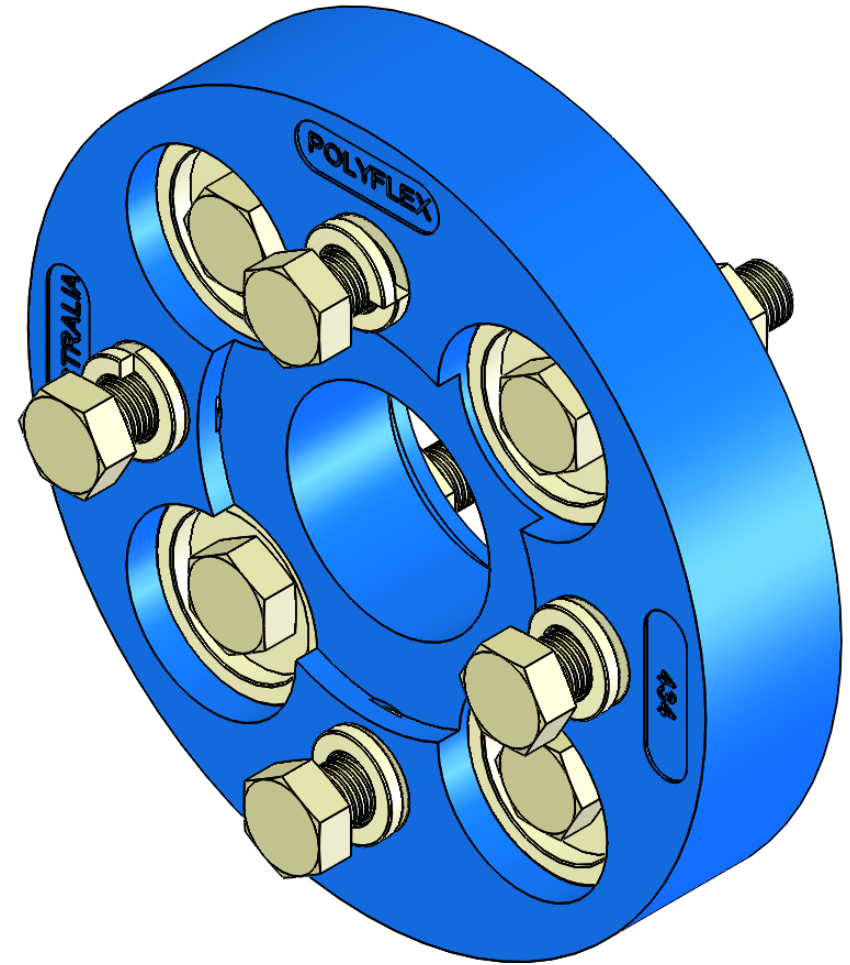
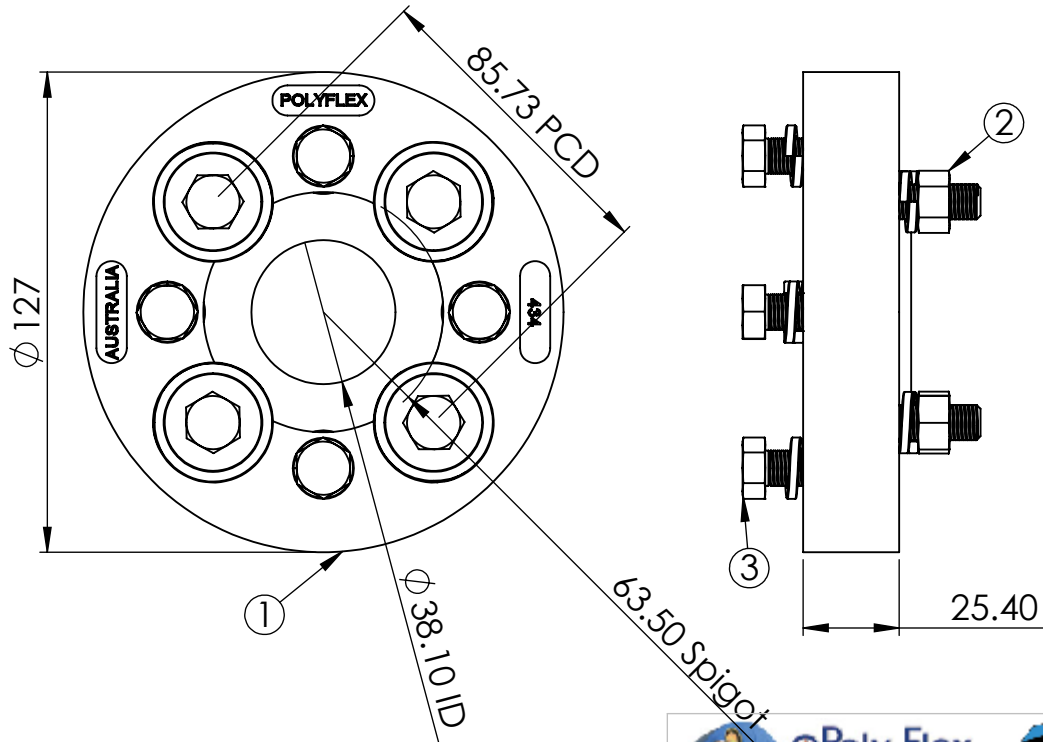


- ① Coupling Disc - ENG Grade polymer alloy (Heat Cured) - 1 off
- ② 3/8UNF x 1 1/2 Hex Bolt, Nut, S/W - Bolt Grade 5 - 4 off
- ③ 3/8UNF x 1 1/4 Hex Bolt & S/W - Bolt Grade 5 - 4 off



UNLESS OTHERWISE SPECIFIED:
 DIMENSIONS ARE IN MILLIMETERS
 SURFACE FINISH:
 TOLERANCES:
 LINEAR: +/-0.25
 ANGULAR: +/-0.25

Part Number

DO NOT SCALE DRAWING

REVISION A

COMMENTS: Break ALL edges with a 0.25mm chamfer.

TITLE:

DWG NO. 404-4-95 Flexible Coupling

A4

PROPRIETARY & CONFIDENTIAL
 THE INFORMATION CONTAINED IN THIS DRAWING IS THE SOLE PROPERTY OF
 POLY FLEX GROUP PTY LTD. ANY REPRODUCTION IN PART OR AS A WHOLE
 WITHOUT THE WRITTEN PERMISSION OF POLY FLEX GROUP PTY LTD IS PROHIBITED.

©Poly Flex Group Pty Ltd

	NAME	SIGNATURE	DATE
DRAWN	O.Knust		3/07/2015
CHK'D	O.Knust		3/07/2015
APPV'D			
MFG			
Q.A			
Stock			

MATERIAL:
 95A Urethane

WEIGHT:

SCALE 1:3

SHEET 1 OF 1